

Lifting Gear Hire | Hoisting

All rental equipment is available throughout North America.



For specific product information, refer to the group of equipment within this section's overview on the following page for that product's corresponding page number.

Lifting Gear Hire stocks a complete range of equipment for virtually any lifting or moving application.



















Some of the industries we serve:

Energy
Utilities
Construction
Maintenance

Transportation
Marine/Ship Building
Petrochemical
Pharmaceutical



Hoisting Section Overview

Hoisting Types	Manufacturer(s)		Pages
Hand Chain Hoists	Coffing, Harrington, Nitchi, Chester Hoist		8 – 14
Electric Chain Hoists	Harrington		15 – 24
Air Chain Hoists	JD Neuhaus		25 – 36
Air Filter, Air Manifolds & Air Accessories	Sylvan Industries, ASL		37 – 39
Electric Cable Hoists	Tractel, Beta Max		40 – 42
Minifors	Tractel		43
Roofing Hoists	Reimann & Georger		44 – 45
Maxial Track Hoists	Beta Max		46
Come-A-Longs	Harrington		47 – 48
Beam Clamps and Trolleys	Riley, Tractel, Oz		49 – 55
Barrier Grabs	Caldwell, M&W		56 – 57
Girder Clamps	Caldwell, Crosby		58 – 59
Plate Clamps	Crosby		60
Beam Trolleys	Riggers, JDN, Tractel, Oz		61 – 64
Aluminum Tripod	Spanco		65
Aluminum Gantries	Spanco		66 – 67
Steel Gantries	Spanco		68 – 69
Hydraulic Gantries	Lift Systems		70 – 72

Hand Chain Hoists

1/2 – 50 Ton LHH Model Specifications

LHH-1B



LHH-2B



LHH-5B



Available For RENTAL

LHH-10B



Specifications

Capacity (Tons)	Model	Strands of Load Chain	Headroom	Average Overhaul for 1 Ft. Lift	Pull to Lift Load (lbs.)	Weight (lbs.)	Weight for Additional One Foot of Lift (lbs.)
1/2	LHH-1/2B	1	10 1/4"	32'	55	—	—
1	LHH-1B	1	11 13/16"	56'	53	18.90	.61
1 1/2	LHH-1 1/2B	1	13 9/16"	75'	65	—	—
2	LHH-2B	1	15"	75'	74	36.70	.93
3	LHH-3B	1	17 1/8"	95'	84	51.2	1.48
5	LHH-5B	3	22 3/8"	203'	79	75	52.50
8	LHH-8B	3	32 1/2"	312.5'	77	—	—
10	LHH-10B	3	32 1/2"	312.5'	95	113.60	4.44
12	LHH-12B	5	50 3/8"	526'	84	—	—
15	LHH-15B	5	50 3/8"	526'	103	254	7.40
20	LHH-20B	6	52 3/8"	312.5' x 2 [†]	99 x 2 [†]	446.20	8.88
25	LHH-25B	8	52 7/8"	416.7' x 2 [†]	97 x 2 [†]	561.60	11.84
30	LHH-30B	10	65"	526.3' x 2 [†]	104 x 2 [†]	797	14.80
40	LHH-40B	14	73 5/16"	714.3' x 2 [†]	101 x 2 [†]	1192.80	20.72
50	LHH-50B	20	77 5/8"	1000' x 2 [†]	104 x 2 [†]	1544	29.60

Green shading reflects rental inventory.

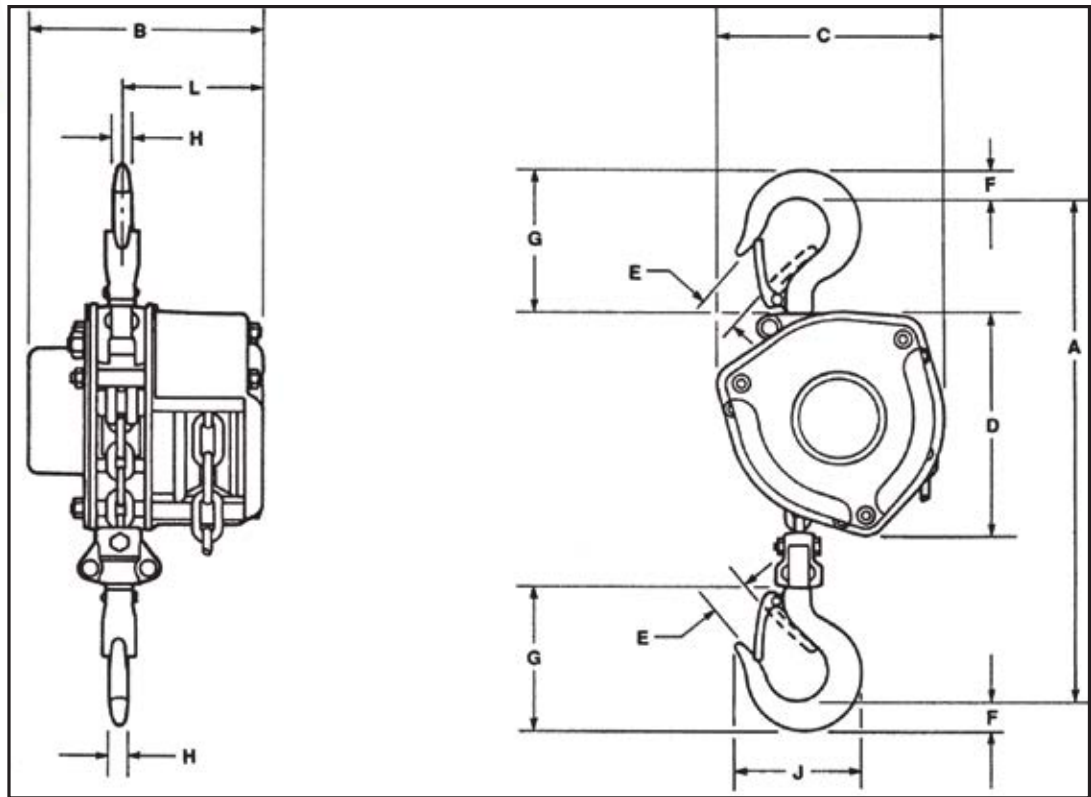
[†] LHH-20 through LHH-50 models have two hand chains.

B=Hoist design series



Hand Chain Hoists

1/2 – 50 Ton LHH Model Dimensions



Dimensions											
Capacity (Tons)	Model	A	B	C	D	E	F	G	H	J	K
1/2	LHH-1/2B	10 1/4"	5 7/16"	5 7/16"	5 1/4"	5/16"	5/8"	3 3/8"	7/16"	2 15/16"	3 1/4"
1	LHH-1B	11 3/16"	5 15/16"	6 1/4"	6"	1 1/8"	5/16"	4 1/16"	5/8"	3 19/32"	3 1/16"
1 1/2	LHH-1 1/2 B	13 9/16"	6 1/2"	7 1/4"	6 1/8"	1 5/16"	1 1/4"	3 9/16"	13/16"	4"	3 5/8"
2	LHH-2B	15"	7 1/4"	8 7/16"	8 1/2"	1 3/8"	1 1/4"	4 15/16"	7/8"	4 9/16"	3 7/8"
3	LHH-3B	17 1/8"	7 13/16"	10"	10"	1 9/16"	1 1/2"	5 3/4"	1 1/8"	5 7/16"	4 3/8"
5	LHH-5B	22 5/8"	6 1/2"	11 1/8"	7 7/16"	1 7/8"	1 13/16"	6 13/16"	1 3/8"	6 1/2"	3 5/8"
8	LHH-8B	32 1/2"	7 13/16"	15 1/16"	—	2 3/4"	2 1/2"	9 11/32"	1 13/16"	8 3/4"	4 3/16"
10	LHH-10B	32 1/2"	7 13/16"	15 1/16"	—	2 3/4"	2 1/2"	9 11/32"	1 13/16"	8 3/4"	4 3/16"
12	LHH-12B	50 5/8"	7 13/16"	20 5/16"	—	2 15/16"	2 27/32"	11 3/16"	2 7/16"	10 11/16"	4 3/16"
15	LHH-15B	50 5/8"	7 13/16"	20 5/16"	—	2 15/16"	2 27/32"	11 3/16"	2 7/16"	10 11/16"	4 3/16"
20	LHH-20B	52 3/8"	12 1/8"	28 7/8"	—	3 1/8"	3 9/16"	12 9/16"	3 9/16"	12 1/2"	6 1/16"
25	LHH-25B	52 7/8"	14 1/2"	28 7/8"	—	3 1/8"	3 1/2"	12 9/16"	3 9/16"	12 1/2"	7 1/4"
30	LHH-30B	65"	16 7/8"	29 9/8"	—	4 3/16"	4 31/32"	18 3/16"	4 7/16"	15 3/16"	8 7/16"
40	LHH-40B	73 1/16"	20 1/8"	29 5/8"	—	4 1/16"	6 3/16"	22 1/4"	5 1/4"	17 5/8"	10 1/16"
50	LHH-50B	77 5/8"	25 7/8"	29 5/8"	—	4 3/4"	6 3/4"	23 3/4"	6 7/8"	20 1/4"	12 15/16"

Green shading reflects rental inventory.
B=Hoist design series



Hand Chain Hoists

10 – 50 Ton H50A Model Specifications

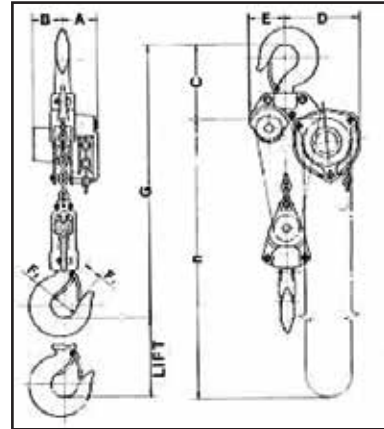
10 Ton



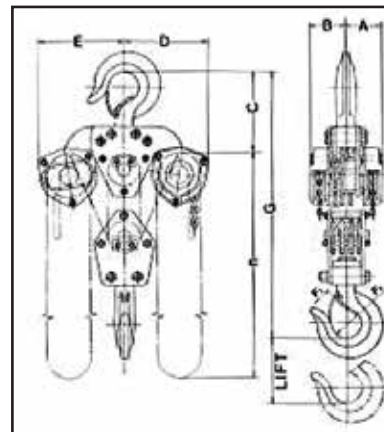
20 Ton



10 Ton



20 Ton



Specifications					
Capacity (Tons)	Headroom	Pull to Lift Load (lbs.)	Strands of Load Chain	Weight (lbs.)	Weight for Additional One Foot of Lift (lbs.)
10	31.1"	95	1	153.20	1.48
16	41"	104	1	327.20	1.48
20	42.5"	99	2	521.40	2.96
25	43.3"	97	2	675.40	2.96
32	58"	104	2	940.40	2.96
40	67"	101	2	1,403.40	2.96
50	71.7"	104	2	1,844.40	2.96

Green shading reflects rental inventory.

Dimensions									
Capacity (Tons)	A	B	C	D	E	F1	F2	G	n
10	4.2"	3.7"	10.2"	11.1"	4.8"	2.7"	3.7"	31.1"	12.5'
16	4.2"	3.7"	13.8"	13.4"	8.3"	3"	4.1"	41"	13.1'
20	6"	6"	13.6"	15.4"	15.4"	3.1"	5"	42.5"	13.1'
25	7.2"	7.2"	13.6"	15.4"	15.4"	3.1"	5"	43.3"	13.1'
32	8.4"	8.4"	17.1"	15.7"	15.7"	4.2"	5.5"	58"	14.1'
40	10"	10"	20.9"	15.7"	15.7"	4.1"	6.5"	67"	15.1'
50	13"	13"	23.2"	15.7"	15.7"	4.7"	7.1"	71.7"	15.1'

Green shading reflects rental inventory.

NITCHI



Hand Chain Hoists with Overload Protection

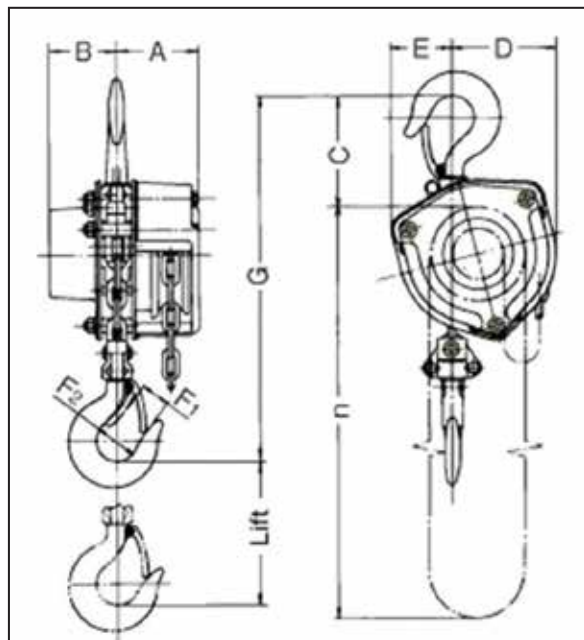
1 – 5 Ton H50-OLP Model Specifications



1-5 Ton



1-5 Ton



Specifications					
Capacity (Tons)	Model	Pull to Lift Load (lbs.)	Headroom	Weight (lbs.)	Weight for Additional One Foot of Lift (lbs.)
1	HH5010A	53	11.6"	23.39	.61
2	HH5020A	74	15"	46.07	.93
3	HH5030A	84	17.125"	66.52	1.48
5	HH5050A	80	22.63"	77.25	.75

Green shading reflects rental inventory.

Dimensions										
Dimensions shown are nominal and subject to tolerances										
Capacity (Tons)	Model	A	B	C	D	E	F ¹	F ²	G	n
1	HH5010A	3.3"	2.6"	4.3"	3.9"	2.3"	1.1"	1.7"	11.6"	98.4"
2	HH5020A	3.9"	3.5"	4.9"	5.2"	3.2"	1.4"	2"	15"	118.1"
3	HH5030A	4.2"	3.7"	5.5"	6.3"	3.7"	1.6"	2.4"	17.125"	118.1"
5	HH5050A	3.6"	3"	7.9"	8"	3.7"	1.9"	2.7"	22.63"	122"

Green shading reflects rental inventory.

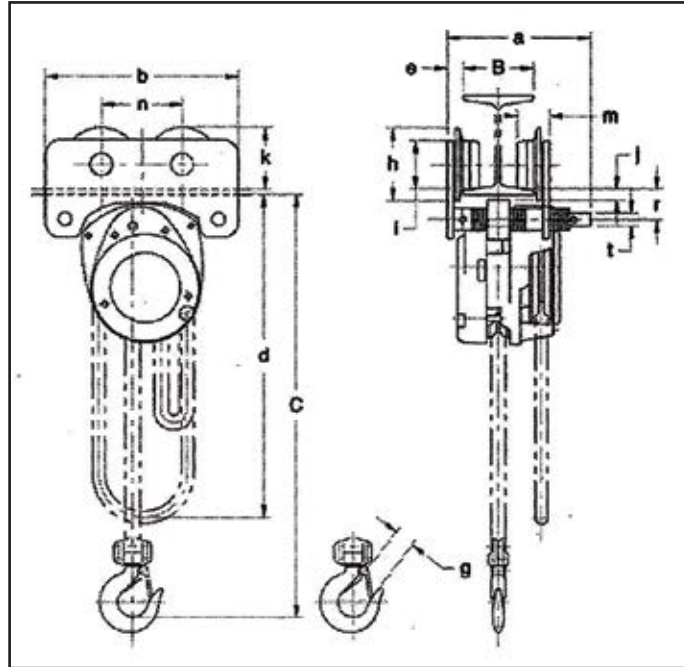
NITCHI



Low Head Room Trolley Hoist

2 – 5 Ton NTH Model Specifications

Harrington NTH



Specifications											
Capacity (Tons)	Model	Headroom	Standard Lift	Pull to Lift Load (lbs.)	Overhaul Ratio	Min. Radius	Flange Range	Load Chain Dia. (mm)	Weight (lbs.)	Weight for Additional One Foot of Lift (lbs.)	Strands of Load Chain
2	NTH020	16.5"	20	80	63	47"	3.72-5.97"	6.3	127	2.4	2
5	NTH050	20.3"	10	92	134	79"	5.12-7.11"	7.1	199	3.5	3

Green shading reflects rental inventory.

Dimensions																				
Dimensions shown are nominal and subject to tolerances																				
Capacity (Tons)	Model	a	a1	b	B	C	d	e	e1	f	g	h	i	j	k	k1	m	n	r	t
2	NTH020	9.3"	14.0"	13.8"	3.72-5.97"	16.5"	20'	1.2"	6.0"	10.4'	1.4"	5.0"	3.35"	.9"	4.2"	4.7"	2.3"	5.4"	2.3"	1.00"
5	NTH050	11.2"	15.8"	18.3"	5.12-7.11"	20.3"	10.6'	1.5"	6.2"	11.3'	1.8"	6.7"	4.65"	1.0"	5.6"	5.1"	3.0"	7.0"	2.9"	1.63"

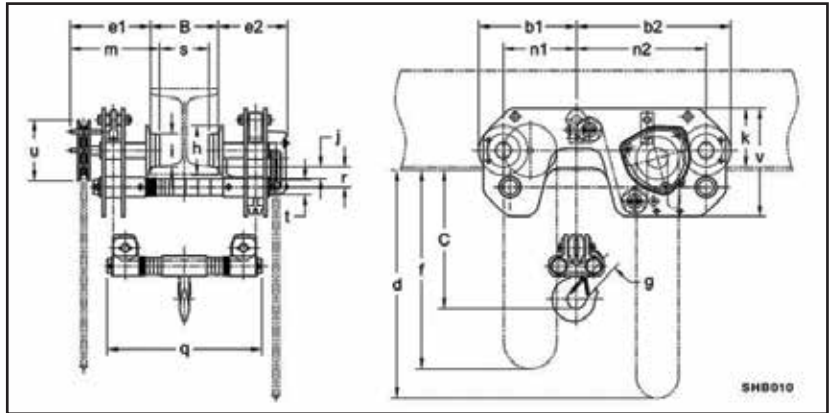
Green shading reflects rental inventory.



Ultra-Low Headroom Trolley Hoist

3 – 10 Ton SHB Model Specifications

Harrington SHB030



Specifications										
Capacity (Tons)	Model	Headroom	Standard Lift	Pull to Lift Load (lbs)	Min Radius for Curve*	Flange Range	Load Chain Dia. (mm)	Weight (lbs.)	Weight for Additional One Foot of Lift (lbs)	Strands of Load Chain
3	SHB030	6.5"	20'	74	N/A	3.23 to 8.03"	8.0	385	3.1	2
10	SHB100	10.0"	20'	96	N/A	5.50 to 8.66"	9.0	858	6.1	4

Green shading reflects rental inventory.

*Due to wheelbase length, the SHB cannot negotiate a curved beam.

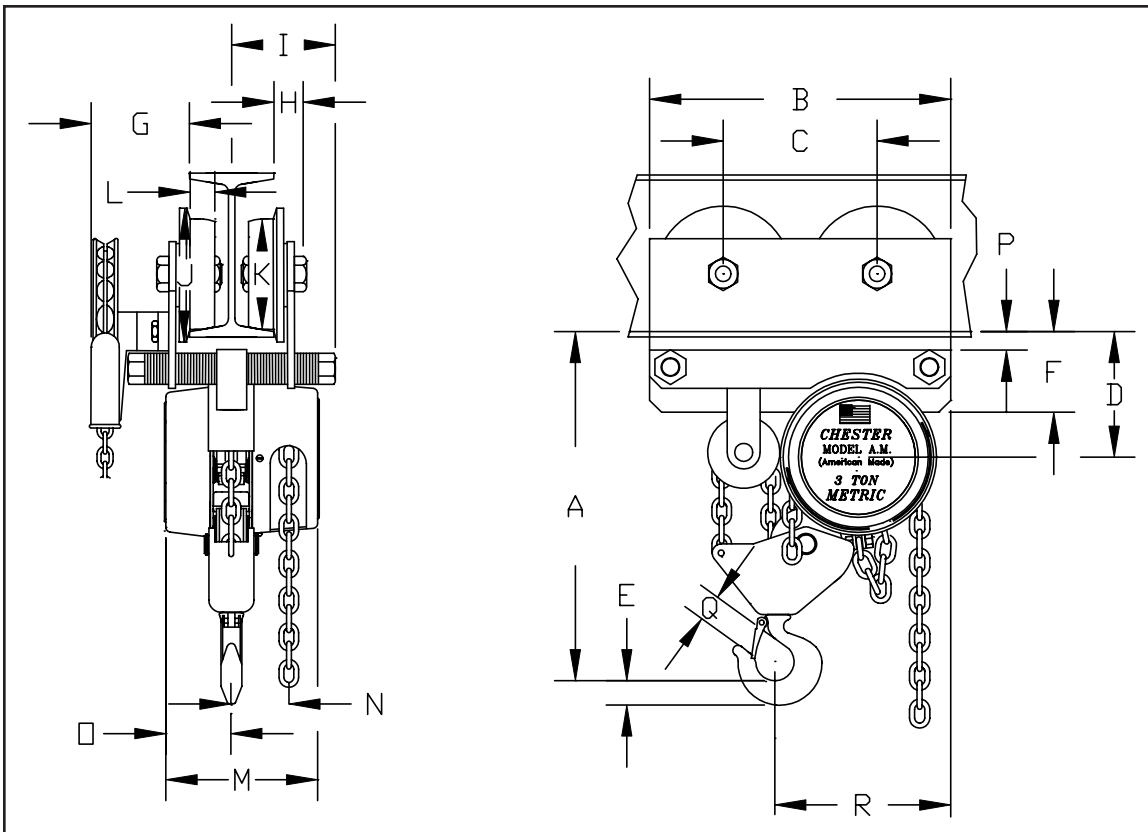
Dimensions																							
Dimensions shown are nominal and subject to tolerances																							
Capacity (Tons)	Model	b1	b2	B	C	d	e1	e2	f	g	h	i	j	k	m	n1	n2	q	r	s	t	u	v
3	SHB030	11.6"	18.3"	3.23 to 8.03"	6.5"	19"	9.5"	8.1"	19"	1.7"	5.83"	3.94"	1.3"	7.0"	10.6"	8.7"	15.4"	18.3"	2.4"	B-2.2"	1.73"	7.20"	12.8"
10	SHB100	15.5"	23.1"	5.50 to 8.66"	10.0"	19.0"	11.4"	8.5"	19.0"	2.4"	7.29"	6.10"	1.3"	10.5"	13.2"	11.8"	19.4"	19.6"	3.3"	B-3.5"	2.76"	8.43"	16.5"

Green shading reflects rental inventory.



Low-Headroom Hand Chain Hoist

3 Ton AM Army Type Specifications



NOTE: THREE PART LOAD CHAIN

NOTE: These Units can only be supplied with 30' H.O.L.

Specifications					
Capacity (Tons)	Model	H.O.L.	Weight	Min. HR	Flange Range
3	AM Army Type	30'	175 Lbs.	15 ⁵ / ₈ "	3 ³ / ₈ " - 6"

Green shading reflects rental inventory.

Dimensions																	
Dimensions shown are nominal and subject to tolerances																	
A	B	C	D	E	F	G	H	I	J	K	L	M	N	O	P	Q	R
15 ⁵ / ₈ "	14"	7 ¹ / ₂ "	5 ⁹ / ₁₆ "	1 ¹ / ₈ "	4 ¹ / ₈ "	7 ¹ / ₂ "	2 ¹ / ₄ "	5 ¹ / ₂ "	6"	4 ¹ / ₂ "	1 ⁷ / ₆₄ "	6 ¹ / ₂ "	2 ¹ / ₂ "	2 ¹³ / ₁₆ "	1 ¹ / ₁₆ "	1 ¹ / ₈ "	7"

Green shading reflects rental inventory.



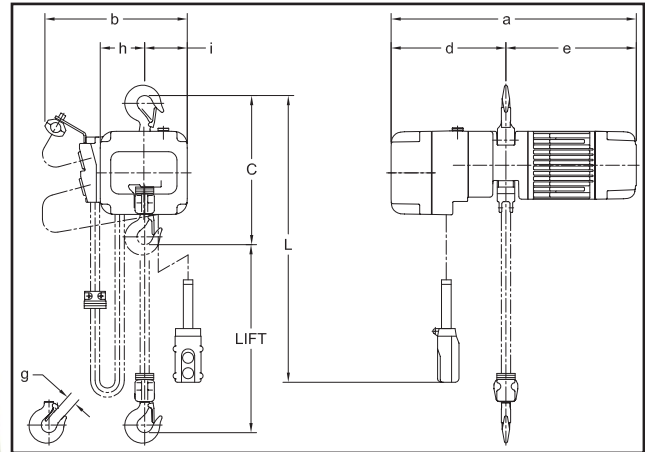
Electric Chain Hoists

1/4 – 3 Ton SNER Model Hook Suspension Specifications

Single Speed – Dimensions									
Cap. (Tons)	Model	a	b	c	d	e	g	h	i
1/4	SNER003S	22.2"	13.0"	13.8"	10.4"	11.9"	0.9"	4.0"	3.9"
1/2	SNER005L	22.2"	13.0"	14.0"	10.4"	11.9"	0.9"	4.0"	3.9"
1/2	SNER005S	23.2"	13.8"	14.6"	10.6"	12.6"	0.9"	4.7"	4.1"
1	SNER010L	23.2"	13.8"	16.1"	10.6"	12.6"	1.2"	4.7"	4.1"
1	SNER010S	26.9"	16.5"	17.3"	12.4"	14.4"	1.2"	6.1"	5.2"
2	SNER020L	26.9"	16.5"	22.6"	12.4"	14.4"	1.5"	6.1"	5.2"
3	SNER030C	26.9"	16.5"	29.5"	12.4"	14.4"	1.7"	8.2"	3.0"

Green shading reflects rental inventory.

SNER005L



SNER020L



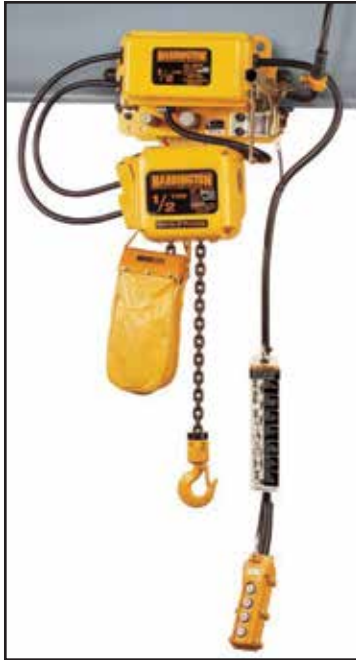
Single Speed – Specifications										
Capacity (Tons)	Model	Lifting Speed (ft./min.)	Headroom	Lifting Motor 1 Phase 60 Hz			Load Chain Diameter (mm)	Weight (lbs.)	Weight for Additional One Foot of Lift (lbs.)	Strands of Load Chain
				Output (Hp)	Rated Current (amps)					
					@115V	@230V				
1/4	SNER003S	14	13.8"	0.34	7.7	3.9	5.0	78.3	0.37	1
1/2	SNER005L	7	14.0"				6.3	78.3	0.57	1
1/2	SNER005S	15	14.6"	0.6	16.9	8.5	6.3	98.3	0.57	1
1	SNER010L	7	16.1"				8.0	100.7	0.93	1
1	SNER010S	14	17.3"	1.2	23.9	12.0	8.0	149.7	0.93	1
2	SNER020L	7	22.6"				10.0	159	1.5	1
3	SNER030C	3.5	29.5"				10.0	145	3.1	2

Green shading reflects rental inventory.



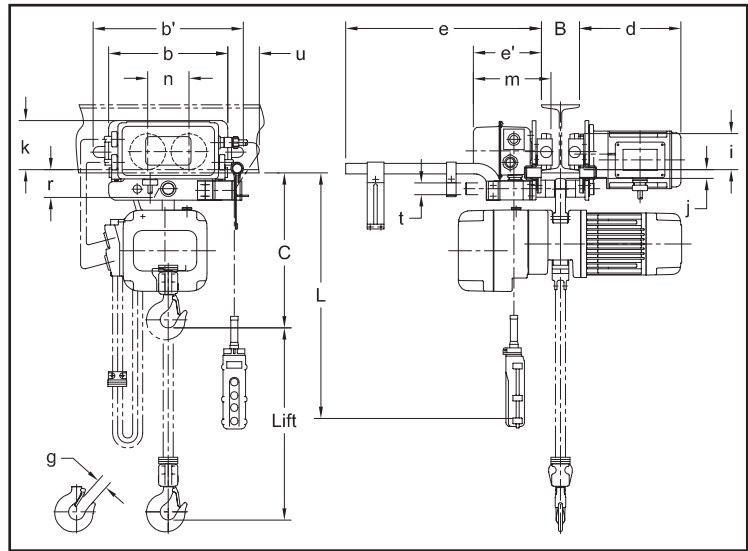
Electric Chain Hoists

1/4 – 3 Ton SNER Model Lug Suspension Specifications



SNERM005L-L
(Shown with optional canvas chain container)

SNERM010L-L



Single Speed Hoist with Single Speed Trolley – Specifications

Capacity (Tons)	Model	Lifting Speed (ft./min.)	Traversing Speed (ft./min.)	Headroom	Lifting Motor 1 Phase 60 Hz			Traversing Motor 1 Phase 60 Hz			Flange Range		Min. Radius	Load Chain Dia. (mm)	Weight (lbs.)	Weight for Additional One Foot of Lift (lbs.)	Strands of Load Chain	
					Output (Hp)	Rated Current (amps)		Output (Hp)	Rated Current (amps)		Standard	Optional						
						@115V	@230V		@115V	@230V								
1/4	SNER003S-L/S	14	L=40 S=80	14.6"	0.34	7.7	3.9	0.54	6.2	3.1	2.28" to 5.00"	5.01 to 6.02 OR 6.03 to 12.00	31.5"	5.0	168	0.37	1	
1/2	SNER005L-L/S	7		14.6"										6.3	170	0.57	1	
1/2	SNER005S-L/S	15		15.4"	0.6	16.9	8.5							6.3	190	0.57	1	
1	SNER010L-L/S	7		16.5"										8.0	196	0.93	1	
1	SNER010S-L/S	14		17.7"	8.0	245	0.93							1				
2	SNER020L-L/S	7		22.2"	1.2	23.9	12.0				3.23" to 6.02"	6.03" to 7.02" OR 7.03" to 12.00"		39.4"	10.0	267	1.5	1
3	SNER030C-L/S	3.5		28.9"											10.0	322	3.1	2

Green shading reflects rental inventory.

Single Speed Hoist with Single Speed Trolley – Dimensions

Capacity (Tons)	Model	B		b	b'	C	d	e	e'	g	i	j	k	m	n	r	t	u
		Standard	Optional															
1/4	SNER003S-L/S	2.28" to 5.00"	5.01" to 6.02" OR 6.03" to 12.00"	12.4"	15.6"	14.6"	10.6"	20.3"	7.0"	0.9"	3.74"	0.9"	5.1"	8.0"	4.3"	2.0"	1.22"	3.2"
1/2	SNER005L-L/S			12.4"	15.6"	14.6"	10.6"	20.3"	7.0"	0.9"	3.74"	0.9"	5.1"	8.0"	4.3"	2.0"	1.22"	3.2"
1/2	SNER005S-L/S			12.4"	15.6"	15.4"	10.6"	20.3"	7.0"	0.9"	3.74"	0.9"	5.1"	8.0"	4.3"	2.0"	1.22"	3.2"
1	SNER010L-L/S			12.4"	15.6"	16.5"	10.6"	20.3"	7.0"	1.2"	3.74"	0.9"	5.1"	8.0"	4.3"	2.0"	1.22"	3.2"
1	SNER010S-L/S			12.4"	15.6"	17.7"	10.6"	20.3"	7.0"	1.2"	3.74"	0.9"	5.1"	8.0"	4.3"	2.0"	1.22"	3.2"
2	SNER020L-L/S	3.23" to 6.02"	6.03" to 7.02" OR 7.03" to 12.00"	12.8"	16.4"	22.2"	10.7"	20.5"	7.2"	1.5"	4.33"	1.1"	4.9"	8.3"	4.6"	2.4"	1.42"	3.0"
3	SNER030C-L/S			13.4"	17.4"	28.9"	10.8"	20.5"	7.3"	1.7"	4.92"	1.1"	5.2"	8.5"	5.2"	2.7"	1.69"	2.7"

Green shading reflects rental inventory.



Electric Chain Hoists

1/8 – 5 Ton NER/ER Model Hook Suspension Specifications – Single Speed



Single Speed – Specifications										
Capacity (Tons)	Model	Lifting Speed (ft./min.)	Headroom	Lifting Motor 3 Phase 60 Hz			Load Chain Dia. (mm)	Weight (lbs.)	Weight for Additional One Foot of Lift (lbs.)	Strands of Load Chain
				Output (Hp)	Rated Current (amps)					
					@208-230V	@460V				
1/8	(N)ER001H	57	13.8"	0.75	4.2	2.1	5.0	68	0.37	1
1/4	(N)ER003S	39	13.8"	0.75	4.2	2.1	5.0	68	0.37	1
1/4	(N)ER003H	60	14.6"	1.2	5.7	2.9	6.3	84	0.57	1
1/2	(N)ER005L	15	14.0"	0.75	4.2	2.1	6.3	70	0.57	1
1/2	(N)ER005S	30	14.6"	1.2	5.7	2.9	6.3	84	0.57	1
1	(N)ER010L	16	16.1"	1.2	5.7	2.9	8.0	90	0.93	1
1	NER010M	24	16.1"	1.9	7.3	3.7	8.0	110	0.93	1
1	(N)ER010S	29	17.3"	2.4	10.5	5.3	8.0	134	0.93	1
1 1/2	(N)ER015S	20	19.9"	2.4	10.5	5.3	10.0	152	1.5	1
2	(N)ER020L	14	22.0"	2.4	10.5	5.3	10.0	154	1.5	1
2	NER020M	24	22.0"	3.8	14.9	7.5	10.0	181	1.5	1
2	(N)ER020S	28	24.0"	4.7	18.3	9.2	10.0	240	1.5	1
2 1/2	(N)ER025S	23	24.6"	4.7	18.3	9.2	11.2	247	1.9	1
3	NER030C	12	29.5"	3.8	14.9	7.5	10.0	216	3.1	2
3	(N)ER030L	16	26.0"	4.7	18.3	9.2	12.5	256	2.3	1
3	(N)ER030S	22	26.0"	6.2	25.1	12.6	12.5	269	2.3	1
5	(N)ER050L	12	32.9"	4.7	18.3	9.2	11.2	306	4.0	2

Green shading reflects rental inventory.

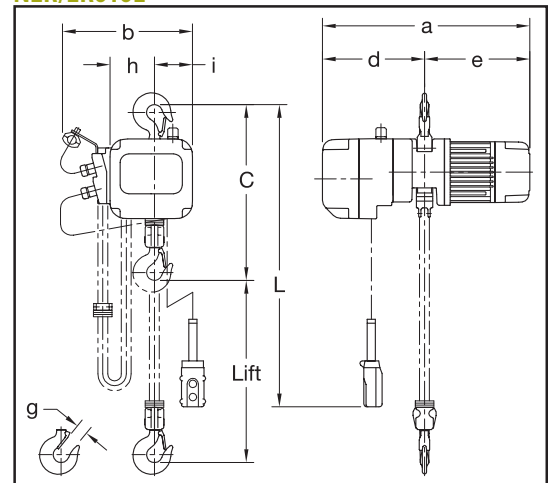
NER/ER010L



Single Speed – Dimensions									
Capacity (Tons)	Model	a	b	C	d	e	g	h	i
1/8	(N)ER001H	21.1"	13.0"	13.8"	10.4"	10.7"	0.9"	4.0"	3.9"
1/4	(N)ER003S	21.1"	13.0"	13.8"	10.4"	10.7"	0.9"	4.0"	3.9"
1/4	(N)ER003H	21.9"	13.8"	14.6"	10.8"	11.1"	0.9"	4.7"	4.1"
1/2	(N)ER005L	21.1"	13.0"	14.0"	10.4"	10.7"	0.9"	4.0"	3.9"
1/2	(N)ER005S	21.9"	13.8"	14.6"	10.8"	11.1"	0.9"	4.7"	4.1"
1	(N)ER010L	21.9"	13.8"	16.1"	10.8"	11.1"	1.2"	4.7"	4.1"
1	NER010M	23.2"	13.8"	16.1"	10.6"	12.6"	1.2"	4.7"	4.1"
1	(N)ER010S	25.6"	16.5"	17.3"	12.6"	13.0"	1.2"	6.1"	5.2"
1 1/2	(N)ER015S	25.6"	16.5"	19.9"	12.6"	13.0"	1.3"	6.1"	5.2"
2	(N)ER020L	25.6"	16.5"	22.0"	12.6"	13.0"	1.5"	6.1"	5.2"
2	NER020M	26.9"	16.5"	22.0"	12.4"	14.4"	1.5"	6.1"	5.2"
2	(N)ER020S	30.9"	18.9"	24.0"	15.5"	15.5"	1.5"	7.2"	6.5"
2 1/2	(N)ER025S	30.9"	18.9"	24.6"	15.5"	15.5"	1.6"	7.2"	6.5"
3	NER030C	26.9"	16.5"	29.5"	12.4"	14.4"	1.7"	8.2"	3.0"
3	(N)ER030L	30.9"	18.9"	26.0"	15.5"	15.5"	1.7"	7.2"	6.5"
3	(N)ER030S	30.9"	18.9"	26.0"	15.5"	15.5"	1.7"	7.2"	6.5"
5	(N)ER050L	30.9"	18.9"	32.9"	15.5"	15.5"	1.8"	9.6"	4.0"

Green shading reflects rental inventory.

NER/ER010L



Electric Chain Hoists

1/8 – 5 Ton NERM/ERM Model Single Speed Hoist with Single Speed Trolley Specifications

NERM/ERM030L-L



Single Speed Hoist with Single Speed Trolley – Specifications

Capacity (Tons)	Model	Lifting Speed (ft./min.)	Traversing Speed (ft./min.)	Headroom	Lifting Motor 3 Phase 60 Hz			Traversing Motor 3 Phase 60 Hz			Flange Range		Min. Radius	Load Chain Dia. (mm)	Weight (lbs.)	Weight for Additional One Foot of Lift (lbs.)	Strands of Load Chain
					Output (Hp)	Rated Current (amps)		Output (Hp)	Rated Current (amps)		Standard	Optional					
						@208-230V	@460V		@208-230V	@460V							
1/8	(N)ERM001H-L/S	57	L=40 S=80	14.6"	0.75	4.2	2.1	0.5	3.2	1.6	2.28"-5.00"	5.01"-6.02" OR 6.03"-12.00"	5.0	137	0.37	1	
1/4	(N)ERM003S-L/S	39		14.6"	0.75	4.2	2.1	0.5	3.2	1.6			5.0	137	0.37	1	
1/4	(N)ERM003H-L/S	60		15.4"	1.2	5.7	2.9	0.5	3.2	1.6			6.3	152	0.57	1	
1/2	(N)ERM005L-L/S	15		14.6"	0.75	4.2	2.1	0.5	3.2	1.6			6.3	139	0.57	1	
1/2	(N)ERM005S-L/S	30		15.4"	1.2	5.7	2.9	0.5	3.2	1.6			6.3	152	0.57	1	
1	(N)ERM010L-L/S	16		16.5"	1.2	5.7	2.9	0.5	3.2	1.6			8.0	159	0.93	1	
1	NERM010M-L/S	24		16.5"	1.9	7.3	3.7	0.5	3.2	1.6			8.0	179	0.93	1	
1	(N)ERM010S-L/S	29		17.7"	2.4	10.5	5.3	0.5	3.2	1.6			8.0	203	0.93	1	
1 1/2	(N)ERM015S-L/S	20		19.5"	2.4	10.5	5.3	0.5	3.2	1.6	10.0	238	1.5	1			
2	(N)ERM020L-L/S	14		21.7"	2.4	10.5	5.3	0.5	3.2	1.6	10.0	240	1.5	1			
2	NERM020M-L/S	24		21.7"	3.8	14.9	7.5	0.5	3.2	1.6	10.0	267	1.5	1			
2	(N)ERM020S-L/S	28		23.6"	4.7	18.3	9.2	0.5	3.2	1.6	10.0	326	1.5	1			
2 1/2	(N)ERM025S-L/S	23		24.2"	4.7	18.3	9.2	0.5	3.2	1.6	11.2	353	1.9	1			
3	NERM030C-L/S	12		28.9"	3.8	14.9	7.5	0.5	3.2	1.6	10.0	317	3.1	2			
3	(N)ERM030L-L/S	16		25.4"	4.7	18.3	9.2	0.5	3.2	1.6	12.5	362	2.3	1			
3	(N)ERM030S-L/S	22		25.4"	6.2	25.1	12.6	0.5	3.2	1.6	12.5	375	2.3	1			
5	(N)ERM050L-L/S	12		32.7"	4.7	18.3	9.2	1.0	5.1	2.5	3.94"-7.01" OR 7.02"-7.60" OR 7.61"-12.00"	70.9"	11.2	461	4.0	2	

Green shading reflects rental inventory.

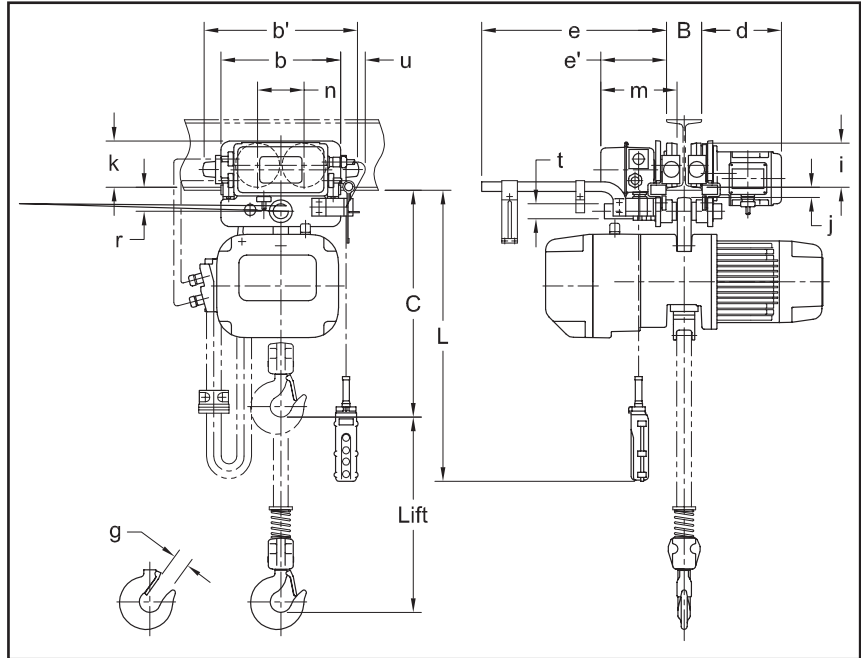


Electric Chain Hoists

1/8 – 5 Ton NERM/ERM Model Single Speed Hoist with Single Speed Trolley Dimensions



NERM/ERM030L-L



Single Speed Hoist with Single Speed Trolley – Dimensions																		
Capacity (Tons)	Model	B		b	b'	C	d	e	e'	g	i	j	k	m	n	r	t	u
		Standard	Optional															
1/8	(N)ERM001H-L/S	2.28"-5.00"	5.01"-6.02" OR 6.03"-12.00"	12.4"	15.6"	14.6"	8.7"	20.3"	7.0"	0.9"	3.74"	0.9"	5.1"	8.0"	4.3"	2.0"	1.22"	3.2"
1/4	(N)ERM003S-L/S			12.4"	15.6"	14.6"	8.7"	20.3"	7.0"	0.9"	3.74"	0.9"	5.1"	8.0"	4.3"	2.0"	1.22"	3.2"
1/4	(N)ERM003H-L/S			12.4"	15.6"	15.4"	8.7"	20.3"	7.0"	0.9"	3.74"	0.9"	5.1"	8.0"	4.3"	2.0"	1.22"	3.2"
1/2	(N)ERM005L-L/S			12.4"	15.6"	14.6"	8.7"	20.3"	7.0"	0.9"	3.74"	0.9"	5.1"	8.0"	4.3"	2.0"	1.22"	3.2"
1/2	(N)ERM005S-L/S			12.4"	15.6"	15.4"	8.7"	20.3"	7.0"	0.9"	3.74"	0.9"	5.1"	8.0"	4.3"	2.0"	1.22"	3.2"
1	(N)ERM010L-L/S	3.23"-6.02"	6.03"-7.02" OR 7.03"-12.00"	12.4"	15.6"	16.5"	8.7"	20.3"	7.0"	1.2"	3.74"	0.9"	5.1"	8.0"	4.3"	2.0"	1.22"	3.2"
1	NERM010M-L/S			12.4"	15.6"	16.5"	8.7"	20.3"	7.0"	1.2"	3.74"	0.9"	5.1"	8.0"	4.3"	2.0"	1.22"	3.2"
1	(N)ERM010S-L/S			12.4"	15.6"	17.7"	8.7"	20.3"	7.0"	1.2"	3.74"	0.9"	5.1"	8.0"	4.3"	2.0"	1.22"	3.2"
1 1/2	(N)ERM015S-L/S			12.8"	16.4"	19.5"	8.9"	20.5"	7.2"	1.3"	4.33"	1.1"	4.9"	8.3"	4.6"	2.4"	1.42"	3.0"
2	(N)ERM020L-L/S			12.8"	16.4"	21.7"	8.9"	20.5"	7.2"	1.5"	4.33"	1.1"	4.9"	8.3"	4.6"	2.4"	1.42"	3.0"
2	NERM020M-L/S			12.8"	16.4"	21.7"	8.9"	20.5"	7.2"	1.5"	4.33"	1.1"	4.9"	8.3"	4.6"	2.4"	1.42"	3.0"
2	(N)ERM020S-L/S			12.8"	16.4"	23.6"	8.9"	20.5"	7.2"	1.5"	4.33"	1.1"	4.9"	8.3"	4.6"	2.4"	1.42"	3.0"
2 1/2	(N)ERM025S-L/S			13.4"	17.4"	24.2"	8.9"	20.5"	7.3"	1.6"	4.92"	1.1"	5.2"	8.5"	5.2"	2.7"	1.69"	2.7"
3	NERM030C-L/S			13.4"	17.4"	28.9"	8.9"	20.5"	7.3"	1.7"	4.92"	1.1"	5.2"	8.5"	5.2"	2.7"	1.69"	2.7"
3	(N)ERM030L-L/S			13.4"	17.4"	25.4"	8.9"	20.5"	7.3"	1.7"	4.92"	1.1"	5.2"	8.5"	5.2"	2.7"	1.69"	2.7"
3	(N)ERM030S-L/S	13.4"	17.4"	25.4"	8.9"	20.5"	7.3"	1.7"	4.92"	1.1"	5.2"	8.5"	5.2"	2.7"	1.69"	2.7"		
5	(N)ERM050L-L/S	3.94"-7.01"	7.02"-7.60" OR 7.61"-12.00"	15.7"	19.8"	32.7"	11.1"	20.8"	7.6"	1.8"	5.51"	1.7"	5.7"	9.2"	5.9"	3.4"	2.13"	1.5"

Green shading reflects rental inventory.



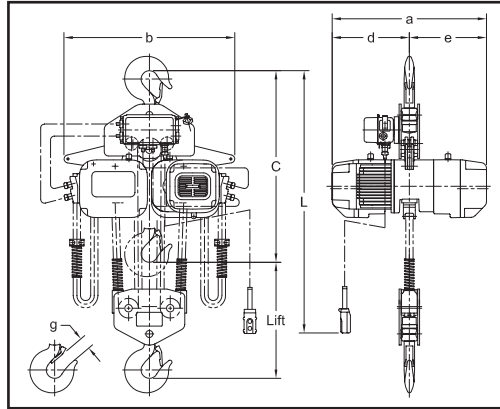
Electric Chain Hoists

8 – 20 Ton ER Model Single Speed Hook Suspension – Specifications

ER100S



ER100S



Single Speed – Specifications

Capacity (Tons)	Model	Lifting Speed (ft./min.)	Headroom	Lifting Motor 3 Phase 60 Hz			Load Chain Diameter (mm)	Weight (lbs.)	Weight for Additional One Foot of Lift (lbs.)	Strands of Load Chain
				Output (Hp)	Rated Current (amps)					
					@208-230V	@460V				
8	ER080S*	8	42.0"	4.7	18.3	9.2	11.2	439	5.9	3
10	ER100L	6	52.6"	4.7	18.3	9.2	11.2	597	8.1	4
10	ER100L-LG	6	39.7"	4.7	18.3	9.2	11.2	496	8.1	4
10	ER100S	12	52.6"	4.7 x 2	18.3 x 2	9.2 x 2	11.2	683	8.1	4
15	ER150S	8	60.6"	4.7 x 2	18.3 x 2	9.2 x 2	11.2	897	12.1	6
20	ER200S	6	65.0"	4.7 x 2	18.3 x 2	9.2 x 2	11.2	1065	16.1	8

Green shading reflects rental inventory.

*Available lug mount only. Push button cord dimension (L) is to center of lug hole.

Single Speed – Dimensions

Capacity (Tons)	Model	a	b	C	d	e	g	h	i
8	ER080S	30.9"	23.8"	42.0"	15.5"	15.5"	2.4"	11.3"	7.5"
10	ER100L	30.9"	39.4"	52.6"	15.5"	15.5"	2.4"	14.0"	20.4"
10	ER100L-LG	30.9"	28.0"	39.7"	15.5"	15.5"	2.4"	14.0"	8.9"
10	ER100S	30.9"	34.2"	52.6"	15.5"	15.5"	2.4"	—	—
15	ER150S	30.9"	41.3"	60.6"	15.5"	15.5"	3.1"	—	—
20	ER200S	30.9"	49.1"	65.0"	15.5"	15.5"	3.4"	—	—

Green shading reflects rental inventory.



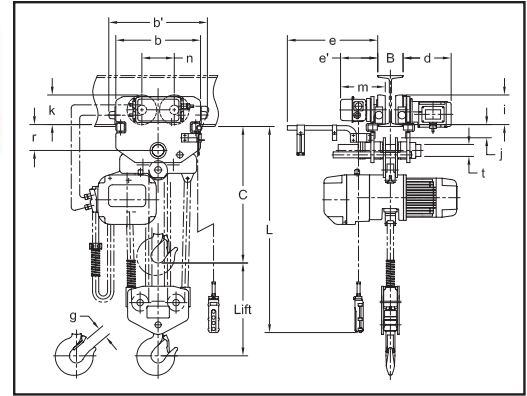
Electric Chain Hoists

8 – 20 Ton ERM Model Single Speed Hoist with Single Speed Trolley – Specifications

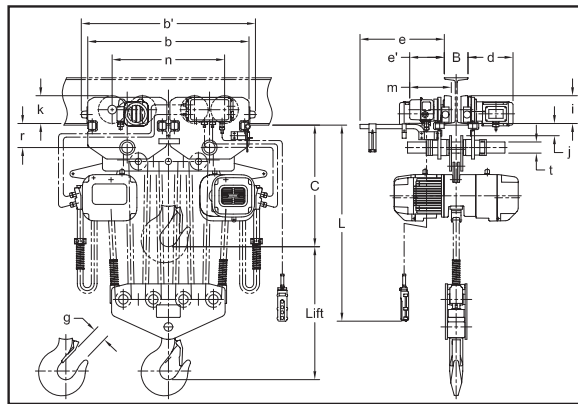
ERM100L-L



ERM100L-L



ERM200S-L



Single Speed Hoist with Single Speed Trolley – Specifications

Capacity (Tons)	Model	Lifting Speed (ft./min.)	Traversing Speed (ft./min.)	Headroom	Lifting Motor 3 Phase 60 Hz			Traversing Motor 3 Phase 60 Hz			Flange Range		Min. Radius	Load Chain Dia. (mm)	Weight (lbs.)	Weight for Additional One Foot of Lift (lbs.)	Strands of Load Chain
					Output (Hp)	Rated Current (amps)		Output (Hp)	Rated Current (amps)		Standard	Optional					
						@208-230V	@460V		@208-230V	@460V							
8	ERM080S-L	8	40	47.6"	4.7	18.3	9.2	1.0	5.1	2.5	5.50" -8.66"	8.67" -12.00"	98.4"	11.2	650	5.9	3
10	ERM100L-L	6		45.7"	4.7	18.3	9.2	1.0	5.1	2.5			98.4"	11.2	708	8.1	4
10	ERM100S-L	12		46.3"	4.7 x 2	18.3 x 2	9.2 x 2	1.0	5.1	2.5			98.4"	11.2	917	8.1	4
15	ERM150S-L	8		51.4"	4.7 x 2	18.3 x 2	9.2 x 2	1.0 x 2	5.1 x 2	2.5 x 2			∞	11.2	1303	12.1	6
20	ERM200S-L	6		52.8"	4.7 x 2	18.3 x 2	9.2 x 2	1.0 x 2	5.1 x 2	2.5 x 2			∞	11.2	1426	16.1	8

Green shading reflects rental inventory.

Single Speed Hoist with Single Speed Trolley – Dimensions

Capacity (Tons)	Model	b	b'	B		C	d	e	e'	g	i	j	k	m	n	r	t
				Standard	Optional												
8	ERM080S-L	19.7"	22.9"	5.50" -8.66"	8.67" -12.00"	47.6"	11.2"	20.9"	8.8"	2.4"	6.89"	3.5"	6.9"	10.6"	7.5"	6.0"	2.76"
10	ERM100L-L	19.7"	22.9"			45.7"	11.2"	20.9"	8.8"	2.4"	6.89"	3.1"	6.9"	10.6"	7.5"	6.0"	2.76"
10	ERM100S-L	19.7"	22.9"			46.3"	11.2"	20.9"	8.8"	2.4"	6.89"	3.1"	6.9"	10.6"	7.5"	6.0"	2.76"
15	ERM150S-L	40.2"	43.4"			51.4"	11.2"	20.9"	8.8"	3.1"	6.89"	3.3"	6.9"	10.6"	28.0"	6.0"	2.76"
20	ERM200S-L	40.2"	43.4"			52.8"	11.2"	20.9"	8.8"	3.4"	6.89"	3.1"	6.9"	10.6"	28.0"	6.0"	2.76"

Green shading reflects rental inventory.

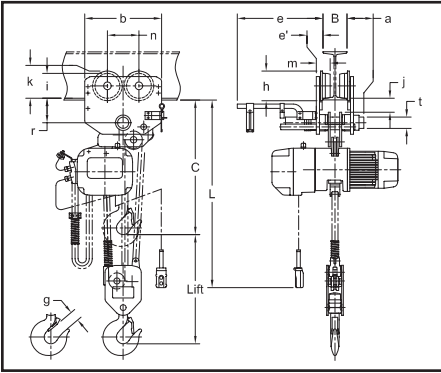


Electric Chain Hoists

8 – 20 Ton ERP/ERG Model Single Speed Hoist with Push/Geared Trolley — Specifications



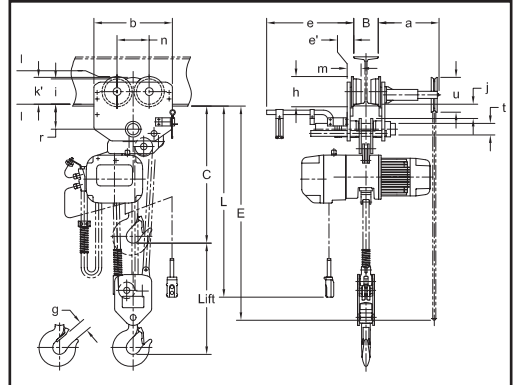
ERP080S



ERG080S



ERG080S



(Shown with optional canvas chain container.)

Single Speed Hoist with Push or Gearing Trolley – Specifications

Capacity (Tons)	Model	Lifting Speed (ft./min.)	Headroom	Lifting Motor 3 Phase 60 Hz			Flange Range		Min. Radius	Load Chain Dia. (mm)	Weight (lbs.)	Weight for Additional One Foot of Lift (lbs.)	Strands of Load Chain
				Output (Hp)	Rated Current (amps)		Standard	Optional					
					@208-230V	@460V							
8	ERP(ERG)080S	8	47.6"	4.7	18.3	9.2	5.50"-8.66"	8.67"-12.00"	118.1"	11.2	606	6.6	3
10	ERP(ERG)100L	6	45.7"	4.7	18.3	9.2			118.1"	11.2	666	8.7	4
10	ERP(ERG)100S	12	46.3"	4.7 x 2	18.3 x 2	9.2 x 2			118.1"	11.2	886	8.7	4
15	ERG150S	8	51.4"	4.7 x 2	18.3 x 2	9.2 x 2			—	11.2	1303	13.4	6
20	ERG200S	6	52.8"	4.7 x 2	18.3 x 2	9.2 x 2			—	11.2	1426	17.5	8

Green shading reflects rental inventory.

Single Speed Hoist with Push Trolley – Dimensions

Capacity (Tons)	Model	B		b	b ¹	C	e	e ¹	g	h	i	j	k	m	n	r	t
		Standard	Optional														
8	ERP080S	5.50"-8.66"	8.67"-12.00"	4.3"	18.9"	47.6"	20.9"	1.6"	2.4"	7.3"	6.10"	3.5"	6.7"	3.4"	7.7"	6.0"	2.76"
10	ERP100L			4.3"	18.9"	45.7"	20.9"	1.6"	2.4"	7.3"	6.10"	3.1"	6.7"	3.4"	7.7"	6.0"	2.76"
10	ERP100S			4.3"	18.9"	46.3"	20.9"	8.8"	2.4"	7.3"	6.10"	3.1"	6.7"	10.6"	7.7"	6.0"	2.76"

Green shading reflects rental inventory.

Single Speed Hoist with Gearing Trolley – Dimensions

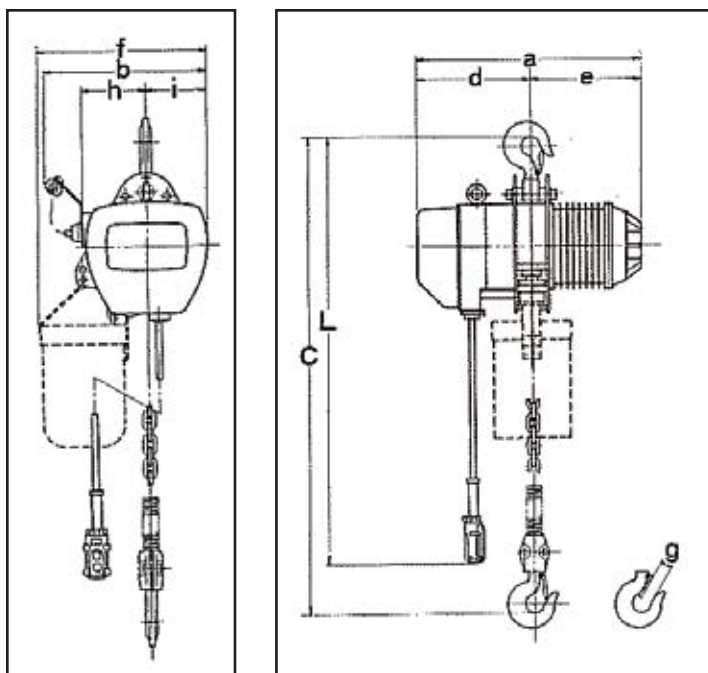
Capacity (Tons)	Model	a	B		b	C	E	e	e ¹	g	h	i	j	k	k ¹	m	n	r	t	u
			Standard	Optional																
8	ERG080S	16.2"	5.50"-8.66"	8.67"-12.00"	18.9"	47.6"	11.4"	20.9"	1.6"	2.4"	7.3"	6.10"	3.5"	6.7"	6.5"	3.4"	7.7"	6.0"	2.76"	8.4"
10	ERG100L	16.2"			18.9"	45.7"	11.4"	20.9"	1.6"	2.4"	7.3"	6.10"	3.1"	6.7"	6.5"	3.4"	7.7"	6.0"	2.76"	8.4"
10	ERG100S	16.2"			18.9"	46.3"	11.4"	20.9"	8.8"	2.4"	7.3"	6.10"	3.1"	6.7"	6.5"	10.6"	7.7"	6.0"	2.76"	8.4"
15	ERG150S	16.2"			39.4"	51.4"	13.4"	20.9"	8.8"	3.1"	7.3"	6.10"	3.3"	6.7"	6.5"	10.6"	28.2"	6.0"	2.76"	8.4"
20	ERG200S	16.2"			39.4"	52.8"	13.4"	20.9"	8.8"	3.4"	7.3"	6.10"	3.1"	6.7"	6.5"	10.6"	28.2"	6.0"	2.76"	8.4"

Green shading reflects rental inventory.



Electric Chain Hoists

1 1/2 – 10 Ton ES Model Hook Suspension Specifications



Specifications						
Capacity (Tons)	Model	Lifting Speed (ft./min.)	Lifting Motor 3 Phase 230 or 460 V		Rated Current @ 460V (amps)*	Load Chain Fall Lines
		60 Hz	Output (Hp)	Rated Current (amps)		
		Single Speed	Single Speed	Single Speed		
1 1/2	ES015S	35	4	40	7.8	1
2 1/2	ES025S	21				1
3	ES030S	17				2
5	ES050S	10.5				2
10-L	ES100L	5.2				4

The above specifications also apply to ESM, ESG and ESP hoists.
Green shading reflects rental inventory.

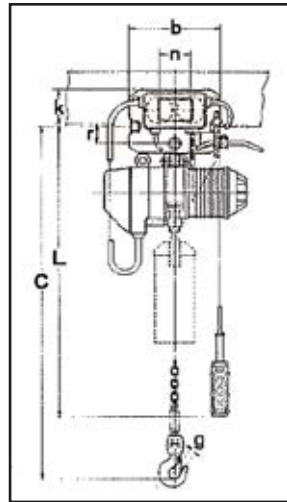
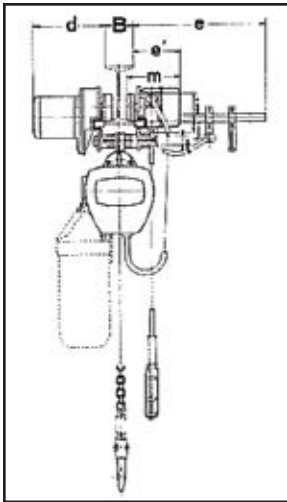
Dimensions											
Capacity (Tons)	Max. Lift w/ Std. Chain Cntnt.	Min. Distance Between Hooks: C	a	b	C	f	g	h	i	Weight for Additional One Foot of Lift (lbs.)	Weight (lbs.)
		Single Speed	Single Speed		Single Speed						Single Speed
1 1/2	60'	28.5"	24"	18.5"	12"	18.5"	1.3"	8.5"	6"	1.5	227
2 1/2	40'	29.5"	24"	18.5"	12"	18.5"	1.6"	8.5"	6"	1.9	196
3	30'	35.2"					1.7"	10.5"	4"	3.3	245
5	20'	36.6"					1.8"	11"	4"	4.0	258
10-L	20'	52.4"	25"	35"	12"	42.4"	2.4"	11"	4"	8.1	527

Green shading reflects rental inventory.



Electric Chain Hoists

1 1/2 – 10 Ton ESM Model with Motorized Trolley Specifications



Specifications

Capacity (Tons)	Model	Standard Lift	Push Button Cord: L (ft.)	Lifting Motor 3 Phase 230 or 460 V		Weight (lbs.) ESM	Weight for Additional One Foot of Lift (lbs.)
	Single Speed Hoist			Output (Hp) (AMP @460V)***	Duty Rating Min.		
	Single Speed Trolley			Single Speed	Single Speed		
1 1/2	ESM015S	10'	8'	.5 (1.2)	40	366	1.5
2 1/2	ESM025S		8.5'	1 (1.9)		410	1.9
3	ESM030S		9'			437	3.3
5	ESM050S		10'			470	4.0
10-L**	ESM100L		10'			708	8.1

Green shading reflects rental inventory.

Dimensions

Cap. (Tons)	Lug Mounted Values Min. Distance from Bottom of Beam to Hook: C† Code	b	d	e	g	k	e'	i	Trolley Speed (ft./min.)	n	r	t	Std. Beam Width: B*	Min. Radius
	Single Speed		Single Speed						Single Speed					
1 1/2	27.4"	12.8"	10.4"	18.7"	1.3"	4.7"	6.7"	4.3"	40 Std. 80 (Opt.)	5.0"	2.4"	1.4"	3.94" – 5.91"	32"
2 1/2	28.5"	13.4"	10.4"	18.7"	1.6"	5.2"	6.7"	4.9"		5.5"	2.8"	1.7"		
3	34.3"				1.7"					6.1"	3.4"	2.1"		
5	36.4"	15.8"	10.7"	19.1"	1.8"	5.7"	7.1"	5.5"	6.1"	3.4"	2.1"	4.92" – 6.89"	79"	
10-S&L	46.5"	20.0"	11.0"	19.0"	2.4"	7.0"	7.0"	7.0"	40	7.5"	6.0"	3.0"	5.91" – 8.66"	98"

* Other widths available. Consult LGH.

** 10 ton L capacity has single hoist body.

*** Rated current @ 230V is 2 times table value.

† Values are for lug mounted units.

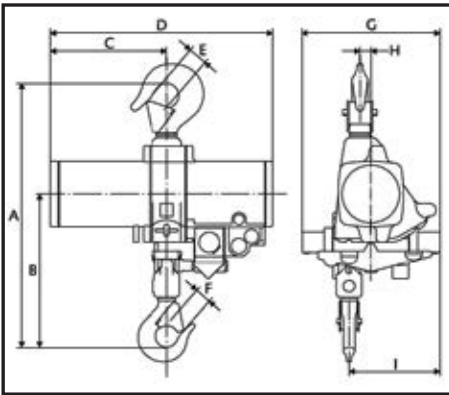
Green shading reflects rental inventory.



Air Chain Hoists

1/2 – 50 Ton Model Profi Series Specifications (OS)

6 TI



Dimensions									
Capacity (Tons)	Model	A	B	C	D	E1	E2	F	G
0.5	05 TS	15.5"	9.4"	5.64"	12.1"	1.02"	1.02"	3.2"	8.54"
1	1 TS	16.1"	9.4"	7.2"	13.7"	1.18"	1.02"	2.9"	8.54"
2	2 TS	21.4"	14"	7.2"	13.7"	1.18"	1.18"	4.56"	8.54"
3	3 TI	21.25"	12.6"	7.9"	18.9"	1.6"	1.18"	3"	10.8"
6	6 TI	25.6"	16.9"	7.9"	18.9"	1.6"	1.6"	3"	10.8"
10	10 TI	31.5"	21"	9.4"	20.8"	1.7"	1.7"	4.7"	13.4"
15	15 TI	35.8"	23"	9.4"	20.8"	2.2"	2.2"	5.6"	18.3"
20	20 TI	42.9"	27.9"	15.4"	30.2"	2.9"	2.9"	4.3"	14.2"
25	25 TI	50.5"	37.9"	15.5"	33"	2.9"	2.9"	5.7"	24"
50	50 TS	66.9"	45.7"	17.4"	38.7"	4.05"	4.05"	9"	21.2"

Green shading reflects rental inventory.



Specifications												
Capacity (Tons)	Model	Strands of Load Chain	Motor Output (kw)	Headroom	Lifting Speed (ft./min.)		Lowering Speed (ft./min.)	Air Consumption (cfm)	Air Connection	Weight (lbs.)	Load Chain Dia. (mm)	Weight for Additional One Foot of Lift (lbs.)
					without load	at full load	at full load					
0.5	05 TS	1	1	15.5"	72.2	32.8	78.7	49.6	G 1/2	52.8	7 x 21	0.67
1	1 TS	1	1	16.1"	36.1	16.4	39.4	49.6	G 1/2	60.5	7 x 21	0.67
2	2 TS	2	1	21.4"	18	8.2	19.7	49.6	G 1/2	75.9	7 x 21	0.67
3	3 TI	1	2.2	21.25"	23	11.48	27.9	85	G 3/4	147.4	13 x 36	2.55
6	6 TI	2	2.2	25.6"	11.5	5.58	13.8	85	G 3/4	193.6	13 x 36	2.55
10	10 TI	2	2.2	31.5"	8.53	3.28	9.84	85	G 3/4	275	16 x 45	3.9
15	15 TI	3	2.2	35.8"	5.58	2.3	6.56	85	G 3/4	418	16 x 45	3.9
20	20 TI	4	2.6	42.9"	3.28	3.64	4.26	102.7	G 3/4	627	16 x 45	3.9
25	25 TI	2	6	50.5"	7.55	3.61	6.23	194.8	G 1	1096	22 x 66	7.25
50	50 TS	4	6	66.9"	4.26	1.48	4.59	194.8	G 1	1881	22 x 66	7.25

Green shading reflects rental inventory.



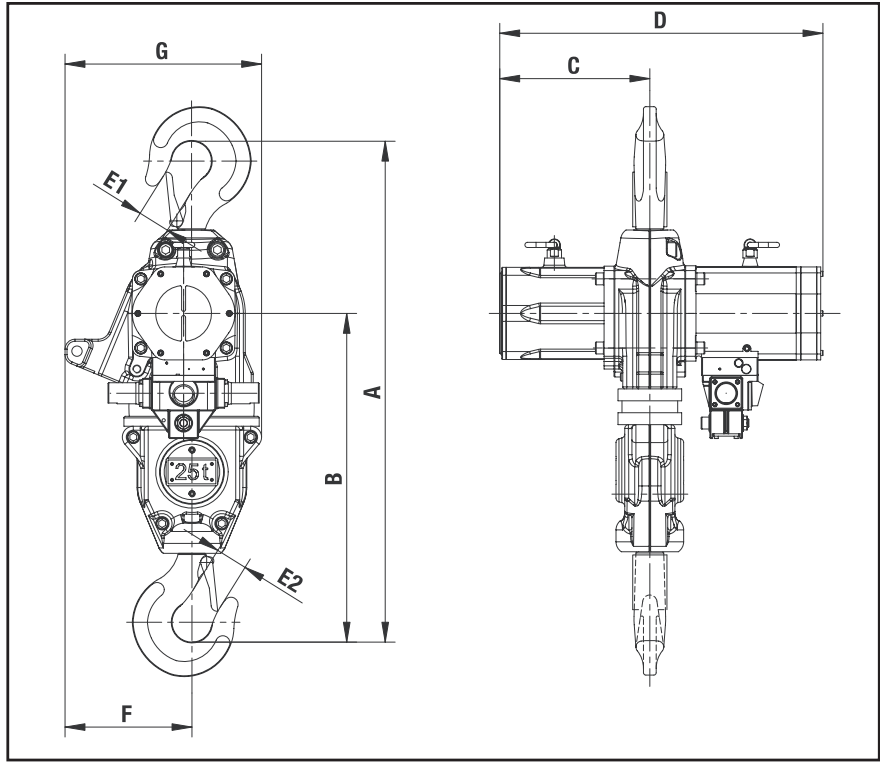
J.D. NEUHAUS
powered by air!



Air Chain Hoists

25 & 50 Ton Model Profi Series Specifications (OS)

PROFI 50 TI



Specifications								
Capacity (Tons)	Model	Air Pressure (PSI)	Strands of Load Chain	Motor Output (kW)	Headroom	Lifting Speed (ft./min.)		Lowering Speed (ft./min.)
						w/o Load	Full Load	Full Load
25	25 TI	85	2	6	49.6"	7.5	3.6	6.2
50	50 TI		4		67"	4.3	0.9	4.6



Specifications								
Air Consumption at Full Load (cfm)		Air Connection	Hose Dimension (Ø inside / Ø outside)	Weight (lbs.)	Load Chain Dia. (mm)	Weight for Additional One Foot of Lift (lbs.)	Sound Level at Full Load dB(A)	
Lifting	Lowering						Lifting	Lowering
194.8	230	G 1"	25/39 mm	1,098	23.5 x 66	2.5	83	83
				1,885				

Dimensions									
Capacity (Tons)	Model	A	B	C	D	E1	E2	F	G
25	25 TI	49.6	32.6	14.8	32	2.9	2.9	12.6	19.2
50	50 TI	67	45	18.2	38.6	4.1	4.1	12.2	21.2

Green shading reflects rental inventory.



J.D. NEUHAUS
powered by air!



Air Chain Hoists

1/2 – 3 Ton Model Profi Series Specifications (NS)

PROFI 1 TI

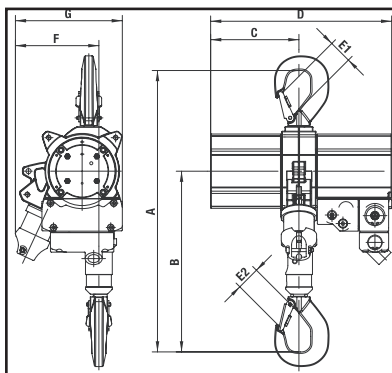


Specifications								
Capacity (Tons)	Model	Air Pressure (PSI)	Strands of Load Chain	Motor Output (kW)	Headroom	Lifting Speed (ft./min.)		Lowering Speed (ft./min.)
						w/o Load	Full Load	Full Load
.5	05 TI	85	1	1	17.7"	62.3	36.1	55.8
1	1 TI	85	1	1	17.7"	36.1	18	36.1
1.5	1.5 TI	85	1	2	18.9"	32.8	19.7	39.4
2	2 TI	85	2	1	19.6"	18	8.9	18
3	3 TI-2	85	2	2	21.4"	16.4	9.8	19.7

Specifications								
Air Consumption at Full Load (cfm)		Air Connection	Hose Dimension (Ø inside)	Weight (lbs.)	Load Chain Dia. (mm)	Weight for Additional One Foot of Lift (lbs.)	Sound Level at Full Load ¹ dB(A)	
Lifting	Lowering						Lifting	Lowering
42.4	53	G 1/2"	.5"	59.5	7 x 21	.73	75	78
42.4	53	G 1/2"	.5"	61.7	7 x 21	.73	76	78
92	127	G 3/4"	.75"	123	9 x 27.2	1.19	77-80	77-80
42.4	53	G 1/2"	.5"	75	7 x 21	.73	76	78
92	127	G 3/4"	.75"	146	9 x 27.2	1.19	77-80	77-80

¹ Measured at 1m distance acc. to DIN 45635 part 20.
Green shading reflects rental inventory.

PROFI 1 TI



Dimensions									
Capacity (Tons)	Model	A ²	B	C	D	E1	E2	F	G
.5	05 TI	17.7"	11.3"	5.7"	11.7"	1.1"	1.1"	5.4"	6.9"
1	1 TI	17.7"	11.3"	5.7"	11.7"	1.1"	1.1"	5.4"	6.9"
1.5	1.5 TI	18.9"	11.5"	7.9"	16.2"	1.1"	1.0"	6.7"	8.5"
2	2 TI	19.6"	13.2"	5.7"	11.7"	1.1"	1.1"	5.4"	7.2"
3	3 TI-2	21.4"	14.0"	7.9"	16.2"	1.1"	1.1"	5.5"	8.5"

² Chain containers increase the headroom.
Green shading reflects rental inventory.



J.D. NEUHAUS
powered by air!



Air Chain Hoists

3 – 20 Ton Model Profi Series Specifications (NS)



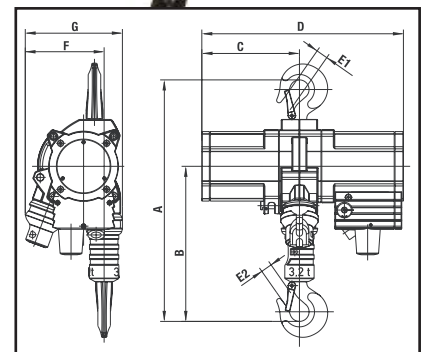
PROFI 3 TI



Specifications								
Capacity (Tons)	Model	Air Pressure (PSI)	Strands of Load Chain	Motor Output (kW)	Headroom	Lifting Speed (ft./min.)		Lowering Speed (ft./min.)
						w/o Load	Full Load	Full Load
3	3 TI	85	1	3.5	23.3"	32.8	16.4	35.43
6	6 TI	85	2	3.5	26.5"	16.4	8.2	17.71
10	10 TI	85	2	3.5	32"	10.49	5.84	11.25
16	16 TI	85	3	3.5	35.4"	6.56	3.28	6.88
20	20 TI	85	4	3.5	42.9"	4.6	2.3	5.3

Specifications								
Air Consumption at Full Load (cfm)		Air Connection	Hose Dimension (Ø inside / Ø outside)	Weight (lbs.)	Load Chain Dia. (mm)	Weight for Additional One Foot of Lift (lbs.)	Sound Level at Full Load ¹ dB(A)	
Lifting	Lowering						Lifting	Lowering
142	195.5	G 3/4"	19/31 mm	189	13 x 36	2.59	78	80
142	195.5	G 3/4"	19/31 mm	242.5	13 x 36	2.59	78	80
142	195.5	G 3/4"	19/31 mm	343	16 x 45	3.85	78	80
142	195.5	G 3/4"	19/31 mm	528	16 x 45	3.85	78	80
142	195.5	G 3/4"	19/31 mm	627	16 x 45	3.85	78	80

¹ Measured at 1m distance acc. to DIN 45635 part 20.
Green shading reflects rental inventory.



Dimensions									
Capacity (Tons)	Model	A ²	B	C	D	E1	E2	F	G
3	3 TI	23.3"	14.7"	9.2"	19.0"	1.6"	1.2"	7.4"	9.2"
6	6 TI	26.5"	17.9"	9.2"	19.0"	1.6"	1.6"	6.1"	9.2"
10	10 TI	32.0"	21.6"	12.1"	22.6"	1.7"	1.7"	7.8"	12.0"
16	16 TI	35.4"	23.5"	15.0"	27.0"	2.1"	2.1"	7.8"	12.0"
20	20 TI	42.9"	27.9"	15.4"	30.2"	2.9"	2.9"	4.3"	14.2"

² Chain containers increase the headroom.
Green shading reflects rental inventory.



J.D. NEUHAUS
powered by air!



Air Chain Hoists

25 – 60 Ton Model Profi Series Specifications (NS)



2011 PROFI 50 TI



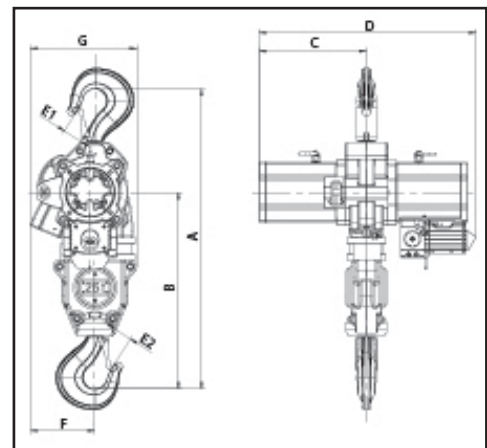
Specifications								
Capacity (Tons)	Model	Air Pressure (PSI)	Strands of Load Chain	Motor Output (kW)	Headroom	Lifting Speed (ft./min.)		Lowering Speed (ft./min.)
						w/o Load	Full Load	Full Load
25	25 TI	85	2	6.3	49.6"	7.9	4.1	9.2
37.5	37 TI	85	3	6.3	57.9"	5.6	2.5	6.6
50	50 TI	85	4	6.3	58.5"	4.3	1.8	5.3
60	60 TI	85	4	6.3	58.5"	4.3	1.5	5.2

Specifications								
Air Consumption at Full Load (cfm)		Air Connection	Hose Dimension (Ø inside)	Weight (lbs.)	Load Chain Dia. (mm)	Weight for Additional One Foot of Lift (lbs.)	Sound Level at Full Load dB(A)	
Lifting	Lowering						Lifting	Lowering
230	102	G 1 1/2"	35 mm	1,138	23.5 x 66	7.46	78	82
230	102	G 1 1/2"	35 mm	1,799	23.5 x 66	7.46	78	82
230	102	G 1 1/2"	35 mm	1,997	23.5 x 66	7.46	78	82
230	102	G 1 1/2"	35 mm	2,072	23.5 x 66	7.46	78	82

Green shading reflects rental inventory.

Dimensions									
Capacity (Tons)	Model	A	B	C	D	E1	E2	F	G
25	25 TI	49.6"	32.6"	17.7"	35.6"	3.0"	3.0"	10.6"	17.5"
37.5	37 TI	57.9"	36.8"	21.3"	42.5"	3.9"	3.9"	11.2"	17.7"
50	50 TI	58.5"	37.4"	21.3"	42.5"	3.9"	3.9"	9.8"	16.9"
60	60 TI	58.5"	37.4"	21.3"	42.5"	3.9"	3.9"	11.2"	16.9"

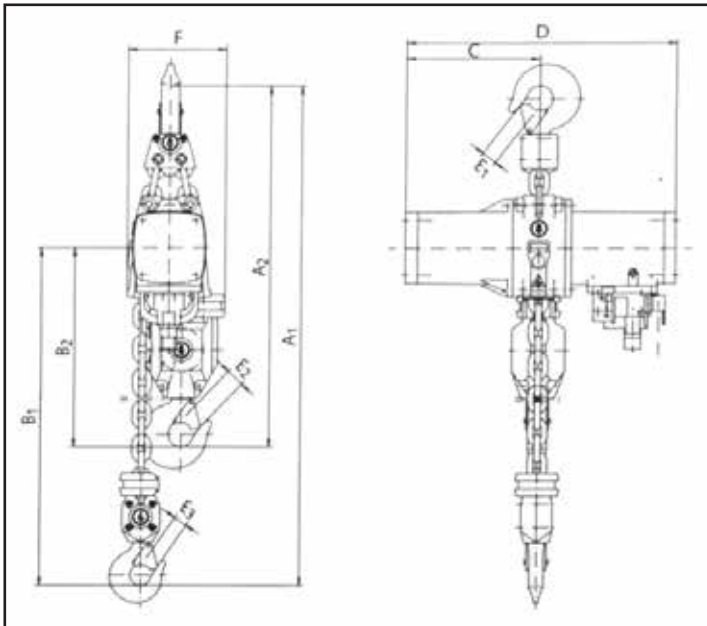
Green shading reflects rental inventory.
1 Chain containers increase the headroom.



J.D. NEUHAUS
powered by air!

Air Chain Hoists

1 – 12 Ton B & M Model Specifications



M 63D



Specifications

Capacity (Tons)	Model	Strands of Load Chain	Motor Output (kw)	Headroom		Lifting Speed (ft./min.)		Lowering Speed (ft./min.)	Air Consumption (cfm)	Air Connection	Weight (lbs.)	Load Chain Dia. (mm)	Weight for Additional One Foot of Lift (lbs.)
				Min.	Max.	without load	at full load	at full load					
1/2	M 64	1/2	0.77	23.74"	25.98"	26.3/13.1	9.8/4.9	41/20.6	35.3	G 3/4"	136	9 x 27.2	1.2
3/6	M 63D	1/2	1.3	29.53"	34.25"	16.4/8.2	7.2/3.6	19.7/9.8	77.7	G 3/4"	228	13 x 36	2.55
12	M 77	1/1	6	45.28"	45.28"	15.7	6.2	14.7	194.8	G 1"	572	22 x 66	7.25
1.6/3.2	B 24	1/2	0.8	23.94"	25.63"	26.3/13.1	11.5/5.7	29.5/14.7	60	G 3/4"	156	9 x 27.2	1.2
4/8	B 48	1/2	1.5	30.4"	31.97"	19/9.5	5.6/2.8	19/9.5	81.2	G 3/4"	264	13 x 36	2.55
6/12	B 612	1/2	1.5	36.22"	39.29"	12.5/6.2	3.6/1.8	12.5/6.2	81.2	G 3/4"	433	16 x 45	3.9

Green shading reflects rental inventory.

Dimensions

Capacity (Tons)	Model	A1	A2	B1	B2	C	D	E1	E2	E3	F
1/2	M 64	23.74"	25.98"	12.32"	14.57"	6.89"	14.76"	1.18"	1.18"	1.18"	5.67"
3/6	M 63D	29.53"	34.25"	14.57"	19.29"	9.33"	19.96"	1.57"	1.57"	1.18"	7.68"
12	M 77	45.28"	45.28"	23.03"	23.03"	14.8"	31.73"	1.65"	1.65"	1.65"	14.76"
1.6/3.2	B 24	23.94"	25.63"	12.2"	13.9"	9.06"	18.31"	1.18"	1.18"	1.18"	5.75"
4/8	B 48	30.4"	31.97"	16.46"	18.01"	11.28"	22.72"	1.57"	1.57"	1.18"	7.17"
6/12	B 612	36.22"	39.29"	18.19"	21.26"	12.99"	25"	1.65"	1.65"	1.57"	9.13"

Green shading reflects rental inventory.



J.D. NEUHAUS
powered by air!



Air Chain Hoists

1/2 – 25 Ton Model Profi Hoist with Trolley Specifications* (OS)



Specifications											
Model		Hoist	05 TS	1 TS	2 TS	3 TI	6 TI	10 TI	15 TI	20 TI	25 TI
Plain Trolley	—	—	LN 1t	—	LN 3t		LN 4-8t	LN 10-15t		LN 20t	LN 25t
Geared Trolley	—	—	—	LH 3t	—	—	LH 4-8t	LH 10-15t		LH 20t	LH 25t
Motor Trolley	—	—	—	LM 3t	—	—	LM 4-8t	LM 10-15t		LM 20t	LM 25t
Capacity	—	mt	0.5	1	2	3	6	10	15	20	25
Trolley weight LN	—	lbs.	24.+2		57.2		257.4	264		510	975
Trolley weight LH: LM	—	lbs.	—	—	81		280	286		527	1003
Hoist weight, standard lift	—	lbs.	52.8	60.5	75.9	147.4	193.6	275	418	627	1184
Weight of chain	—	lbs./ft.	0.67	0.67	0.67	2.55	2.55	3.9	3.9	3.9	7.25
Number of chain strands	—	#	1	1	2	1	2	2	3	4	2
Motor output	hoist	kw	1			2.2			2.6		6
	trolley	kw	0.7								
Air consumption hoist	at full load	cfm	49.6			85			102.7	194.8	
Air consumption motor trolley	at full load	cfm	46.06								
Travelling distance geared trolley, chain reel off	30 ft.	ft.	4.92								
Travelling speed motor trolley	—	ft./min.	39								
Minimum radius measured to inner edge of the beam	—	inch	19.69			39.37			59.06		
Max. bottom flange thickness	LN	inch	1	1.57			2.56		2.95	3.15	
	LH + LM	inch	1.57			2.56		2.95	3.15		
Max. bottom flange width b	—	inch	12.2								
Min. bottom flange width b	—	inch	2.125			4.92			6.1	7.28	

Green shading reflects rental inventory.

*See page 25 for more detailed information regarding the hoists.

Plain Trolley (LN)



Suspension - Pushed or Pulled by Hand

Geared Trolley (LH)



Lug-Mounted - Operated by the Reel Chain

Motorized Trolley (LM)



Powered by a Pneumatic Motor



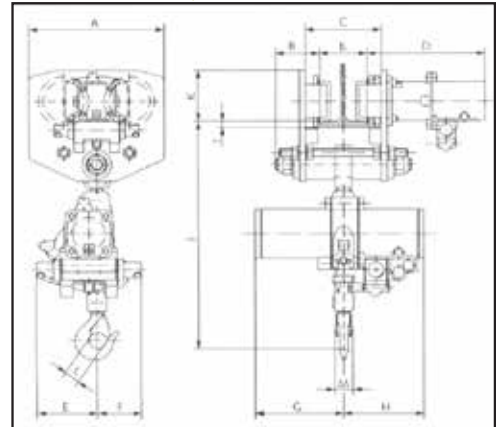
J.D. NEUHAUS
powered by air!

Air Chain Hoists

1/2 – 25 Ton Model Profi Hoist with Trolley Specifications* (OS)

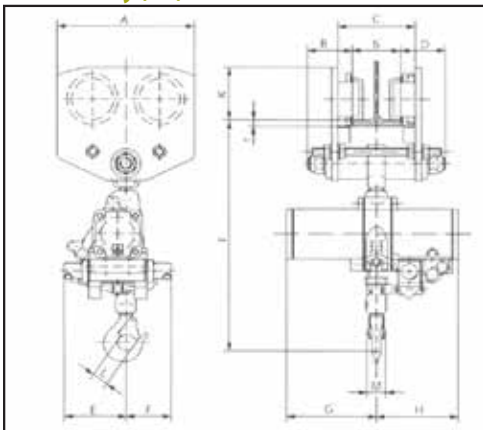


Motorized Trolley (LM)



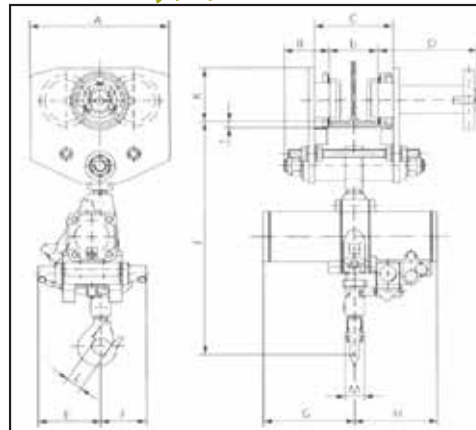
Powered by a Pneumatic Motor

Push Trolley (LN)



Pushed or Pulled by Hand

Geared Trolley (LH)



Operated by the Reel Chain

		Dimensions								
Model		05 TS	1 TS	2 TS	3 TI	6 TI	10 TI	15 TI	20 TI	25 TI
A	LN	—	—	11.02"	—	19.29"	—	—	23.62"	29.53"
A	LH + LM	—	—	—	—	19.29"	—	—	23.62"	29.53"
B	LN	—	—	4.45"	—	5.55"	5.75"	—	5.08"	4.92"
B	LH + LM	—	—	—	—	—	—	—	—	—
C	LN	—	—	b + 2.36"	—	b + 2.76"	—	—	b + 2.68"	—
C	LH + LM	—	—	—	—	b + 2.76"	—	—	b + 2.68"	—
D	LN	—	—	4.45"	—	5.55"	5.75"	—	5.08"	4.92"
D	LH + LM	—	—	—	—	12.09"	12.28"	—	12.13"	12.13"
E	—	5.39"	4.6"	4.96"	7.87"	7.87"	8.46"	12.68"	9.41"	16.1"
F	—	3.19"	3.62"	3.62"	3.82"	3.82"	4.72"	5.63"	5.24"	6.14"
G	—	5.67"	7.2"	7.2"	7.87"	7.87"	9.45"	9.45"	15.5"	15.47"
H	—	6.5"	6.53"	6.53"	10.94"	10.94"	11.1"	11.1"	14.92"	18.74"
J	min. headroom									
	mounted	18.31"	18.7"	23.82"	22.64"	29.33"	37.01"	39.17"	44.88"	60.24"
	suspended	22.72"	23.43"	28.54"	27.76"	34.84"	44.09"	47.83"	58.07"	68.7"
K	LN	—	—	4.21"	—	7.8"	—	—	8.56"	11.1"
K	LH + LM	—	—	—	—	7.8"	—	—	8.56"	11.1"
L	—	—	—	1.18"	—	1.57"	1.65"	1.77"	3.03"	4.06"
M	—	—	—	2.09"	1.97"	2.17"	2.99"	3.86"	3.39"	3.39"

Green shading reflects rental inventory.

*See page 25 for more detailed information regarding the hoists.



J.D. NEUHAUS
powered by air!



Air Chain Hoists

1/2 – 20 Ton Model Profi Hoist with Push/Geared & Motorized Trolley Specifications (NS)

Specifications									
Model		05 TI	1 TI	2 TI	3 TI	6 TI	10 TI	16 TI	20 TI
Carrying capacity of Trolley LN	mt	0.5	1	2	3.2	6.3	10-16		—
Carrying capacity of Trolley LH and LM	mt	2			3.2	6.3	10-16		20
Carrying capacity of hoist with Trolley	mt	0.5	1	2	3.2	6.3	10	16	20
Weight of Plain Trolley (LN)	lbs.	17	23.1	39.6	57.2	257.4	264		—
	kg	7.7	10.5	18	26	117	120		—
Weight of Geared Trolley (LH)	lbs.	57.2			81.4	279.4	418.9		573.2
	kg	26			37	127	190		260
Weight of Motor Trolley (LM)	lbs.	70.4			72.6	272.8	418.9		573.2
	kg	32			33	124	190		260
Hoist weight, standard lift	lbs.	59.5	61.7	75	189.2	242	343.2	528	628.3
	kg	27	28	34	86	110	156	240	285
Total weight with standard lift Plain Trolley	lbs.	76.5	84.9	114.6	246.4	499.2	607.2	792	—
	kg	34.7	38.5	52	112	227	276	360	—
Total weight with standard lift Geared Trolley	lbs.	130.1	132.3	145.5	270.6	521.4	762.8	948	1,201.5
	kg	59	60	66	123	237	346	430	545
Total weight with standard lift Motor Trolley	lbs.	116.8	119.1	132.3	261.8	514.8	762.8	948	1,201.5
	kg	53	54	60	119	234	346	430	545
Weight of chain	lbs./ft.	0.7			2.6		3.9		
	kg/m	1			3.8		5.8		
Number of chain strands	—	1		2	1	2	2	3	4
Air consumption Motor Trolley (at full load)	cfm	21.3				46.1			
	m ³ /min.	0.6				1.3			
Air consumption hoist (at full load)	cfm	5.3			194.2				
	m ³ /min.	1.5			5.5				
Motor output Motor Trolley	kW	0.2				0.7			
Motor output hoist	kW	1			3.5				
Travelling distance Geared Trolley, chain reel off	ft. (30 ft.)	4.6				3.6		3.3	
	m (10m)	1.4				1.1		1.0	
Travelling speed Motor Trolley	ft./min.	29.5*/14				16.4*/12			
	m/min.	9*/14				5*/12			
Hose connection Motor Trolley	—	G 1/2				G 3/4			
Minimum radius Plain Trolley	ft.	3 ¹	3.3 ¹	3.9 ¹	1.6 ²	3.3 ²		—	
	m	0.9 ¹	1.0 ¹	1.2 ¹	0.5 ²	1 ²		—	
Minimum radius Geared and Motor Trolley	ft.	1.6 ²				3.3 ²		4.9	
	m	0.5 ²				1 ²		1.5 ²	
Max. bottom flange thickness t Plain Trolley	inch	1.2	1.0	1.1	1.6	2.6		—	
	mm	3.0	25	28	40	65		—	
Max. bottom flange thickness t Geared and Motor Trolley	inch	1.6				2.6			
	mm	40				65			
Max. bottom flange width b Plain Trolley	inch	8.7		12	12.2			—	
	mm	220		305	310			—	
Max. bottom flange width b Geared and Motor Trolley	inch	11			12.2				
	mm	280			310				
Min. bottom flange width b Plain Trolley	inch	2	2.3	2.6	2.1	4.9		—	
	mm	50	58	66	54	125		—	
Min. bottom flange width b Geared and Motor Trolley	inch	2			2.1	4.9		5.8	
	mm	50			54	125		148	
Sound Level Motor Trolley ³	dB(A)	80							



In Plain Trolley See page 34.



In Geared Trolley See page 35.



In Motor Trolley See page 36.

Green shading reflects rental inventory.

The denomination of the trolley is composed of the short denomination (LN, LH, LM) and the carrying capacity acc. to table, as for example LN 1 ton.

*1 1st speed of F-control with two speeds | 1 Measured at the middle of the beam | 2 Measured at the inner edge of the beam | 3 Measured at 1000 mm (39.37 inch) distance

LGH mounting option may differ from those in the picture and specification diagrams.

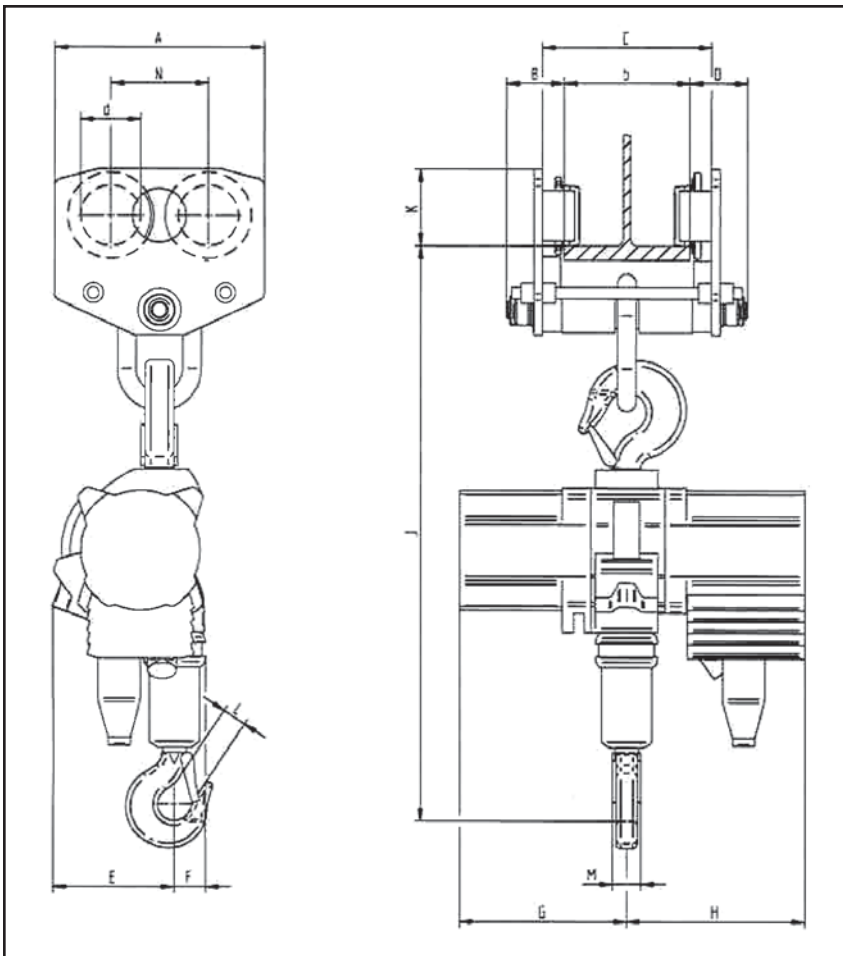


J.D. NEUHAUS
powered by air!



Air Chain Hoists

1/2 – 20 Ton Model Profi Hoist with Push Trolley Specifications* (NS)



PROFI in Push Trolley (LN) Specifications																
Model	In Trolley	A	B max	C	d	D max	E	F	G	H	J ¹ min. headroom ¹ mounted	J suspended	K	L	M	N
05TI	LN 0.5 t	10.2"	4.7"	b+1.1"	2.2"	4.7"	5.4"	1.5"	5.7"	6"	—	20.9"	2.7"	1.1"	1.7"	5.1"
1TI	LN 1 t		4.8"		2.7"	3.2"							1.8"			
2TI	LN 2 t	12.2"	6.4"	b+1"	3.2"	4.8"	7.4"	1.8"	9.2"	9.8"	25"	31.4"	3.7"	1.2"		5.9"
3TI	LN 3.2 t	11.5"	4.5"	b+2.4"	3.3"	4.5"							7.4"			
6TI	LN 6.3 t	19.7"	5.6"	b+2.8"	6.5"	5.6"	6.1"	3.1"	12.1"	10.5"	60"	36.2"	7.8"	1.6"	2"	9.3"
10TI	LN 10-16 t	19.3"	5.8"			5.8"	7.8"	4.3"			39.3"	47.8"		2.1"	3.2"	
16TI									15"	12.2"	44.9"	58.7"	8.6"	2.9"	3.4"	10.8"
20TI	LN 20 t	23.6"	6.1"	b+2.7"	7.3		7.1"	5.3"								

Green shading reflects rental inventory.

*See pages 27 and 28 for additional specifications. | 1 Chain contains increase the headroom.

LGH mounting option may differ from those in the picture and specification diagrams.

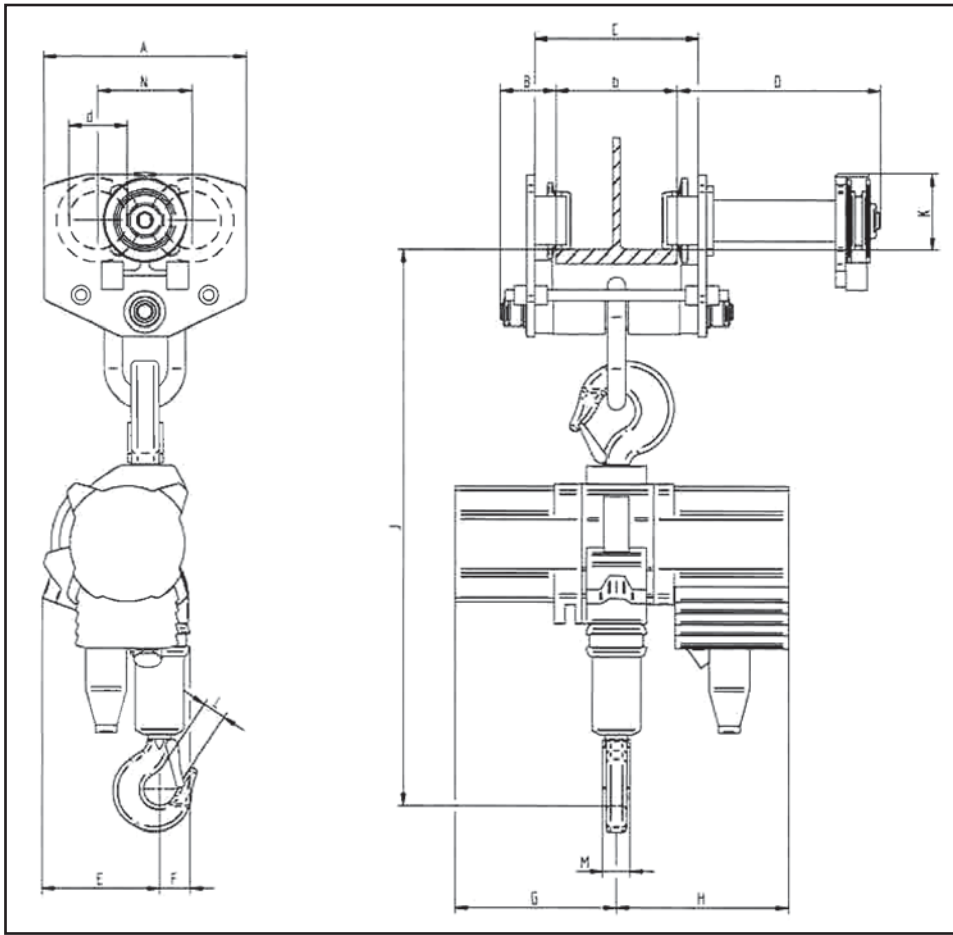


J.D. NEUHAUS
powered by air!



Air Chain Hoists

1/2 – 20 Ton Model Profi Hoist with Gear Trolley Specifications* (NS)



PROFI in Geared Trolley (LH) Specifications

Model	in Trolley	A	B max.	C	d	D max.	E	F	G	H	J' min. headroom ¹ mounted	J suspended	K	L	M	N
05 TI	LH 2 t	9.8"	5.1"	b + 1.4"	2.8"	11.2"	5.4"	1.5"	5.7"	6"	—	22.2"	4.1"	1.1"	1.7"	4.6"
1 TI								1.8"								
2 TI								1.8"								
3 TI	LH 3.2 t	11.5"	4.5"	b + 2.4"	3.3"	11.6"	7.4"	1.8"	9.2"	9.8"	25"	31.4"	4.3"	1.2"		5.4"
6 TI	LH 6.3 t	19.7"	5.6"			12.1"	6.1"	3.1"			30"	36.2"		1.6"	2"	
10 TI	LH 10-16 t	19.3"	5.8"	b + 2.8"	6.5"	12.3"	7.8"	4.3"	12.1"	10.5"	37.2"	44.5"	7.8"	1.7"	2.6"	9.3"
16 TI														2.1"	3.2"	
20 TI	LH 20 t	23.6"	6.1"	b + 2.7"	7.3"	12.6"	7.1"	5.3"	15"	12.2"	44.9"	58.7"	8.9"	2.9"	3.4"	10.8"

Green shading reflects rental inventory.

*See pages 27 and 28 for additional specifications. | 1 Chain containers increase the headroom.

LGH mounting option may differ from those in the picture and specification diagrams.

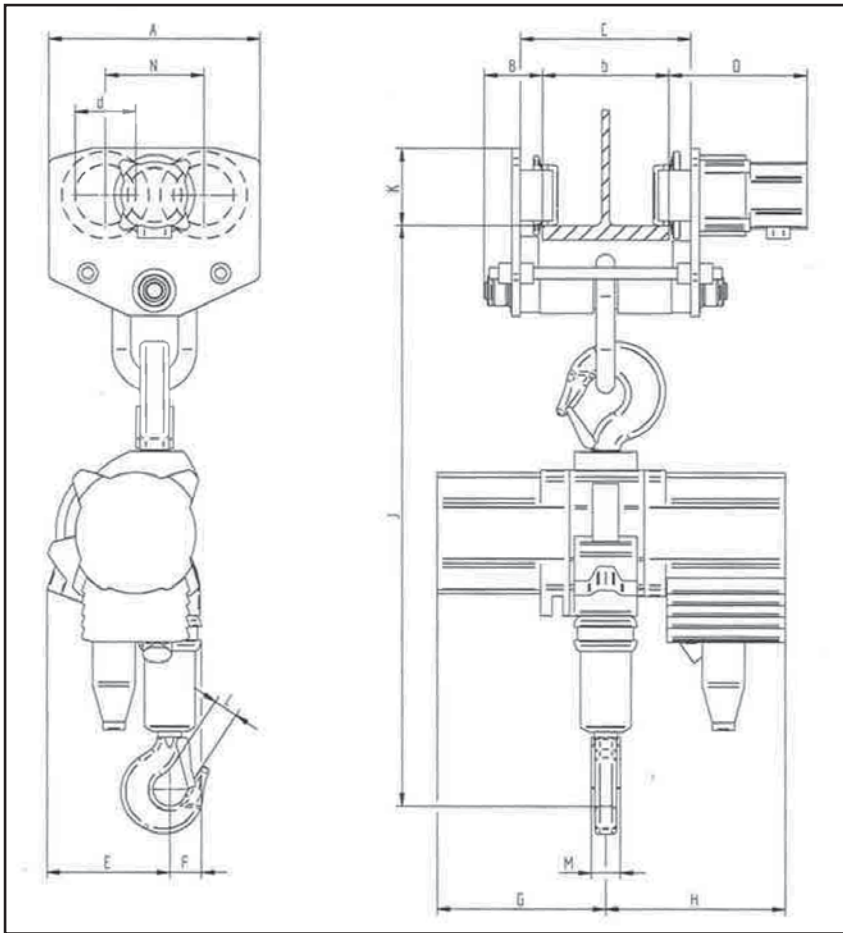


J.D. NEUHAUS
powered by air!



Air Chain Hoists

1/2 – 20 Ton Model Profi Hoist with Air Motor Trolley Specifications* (NS)



PROFI in Motor Trolley (LM) Specifications

Model	in Trolley	A	B max.	C	d	D max.	E	F	G	H	J ¹ min. headroom ¹ mounted	J suspended	K	L	M	N
05 TI																
1 TI	LM 2 t	9.8"	5.1"	b + 1.4"	2.8"	7.2"	5.4"	1.5"	5.7"	6"	—	22.2"	3.7"	1.1"	1.7"	4.6"
2 TI								1.8"				24.1"				
3 TI	LM 3.2 t	11.5"	4.5"	b + 2.4"	3.3"	11.7"	7.4"	1.8"	9.2"	9.8"	25"	31.4"	4.2"	1.2"		5.4"
6 TI	LM 6.3 t	19.7"	5.6"			8.1"	6.1"	3.1"			30"	36.2"		1.6"	2"	
10 TI	LM 10-16 t	19.3"	5.8"	b + 2.8"	6.5"	12.5"	7.8"	4.3"	12.1"	10.5"	37.2"	44.5"	8.5"	1.7"	2.6"	9.3"
16 TI											39.3"	47.9"		2.1"	3.2"	
20 TI	LM 20 t	23.6"	6.1"	b + 2.7"	7.3"	12.9"	7.1"	5.3"	15"	12.2"	44.9"	58.7"	8.6"	2.9"	3.4"	10.8"

Green shading reflects rental inventory.

*See pages 27 and 28 for additional specifications. | 1 Chain containers increase the headroom.

LGH mounting option may differ from those in the picture and specification diagrams.



J.D. NEUHAUS
powered by air!



Air Filter | Dryer Systems

Model 180



Model 360



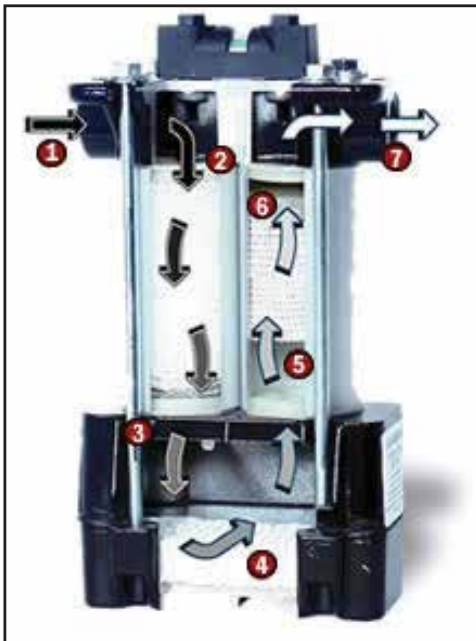
Air Filter | Dryer Specifications

Model	NPT	SCFM	MAX PSI	Service Kit	Dimensions LxWxH	Weight (lbs.)
140	1 1/2"	250	250	250SKA	25" x 18" x 13"	85
180	2"	500	150	500SKA	31" x 24" x 17"	135
360	2"	1000	150	500SKA (2)	31" x 24" x 35"	240

Green shading reflects rental inventory.



Model 140/180



How it Works:

1. Compressed air containing tiny particles of dirt, dust, oil and moisture enters the first stage of the Extractor/Dryer.
2. A coalescing effect occurs as air passes through a cartridge mesh filter that captures particles and causes moisture to form larger droplets.
3. Air velocity lessens as it enters the extraction chamber allowing particles to collect and moisture to condense on the honeycomb.
4. Particle laden water flows along the bottom and out the drain.
5. Air passes through the second stage wire supported fiber filter cartridge that captures remaining particles down to 5 micron.
6. Remaining moisture and contaminants are dried and filtered in the second stage filter.
7. Exhaust air is clean and dry – no dirt, rust, oil or water droplets to disrupt air equipment operation.



Receiving Tanks | Air Manifolds

Receiving Tanks

20 Gallon "pig" Air Manifold



120 Gal Vertical Receiving Tank



400 Gallon Horizontal Receiver Tank



Receiving Tank Specifications					
Capacity	PSI	Position	Length	Weight (lbs.)	Diameter
20 Gal.	200	Horizontal	33.00"	54	14"
120 Gal.	200	Vertical	69.00"	239	30"
240 Gal.	200	Horizontal	83.75"	638	30"
400 Gal.	200	Horizontal	92.00"	725	36"

Green shading reflects rental inventory.

Oilers | Dirt Stoppers | Air Hoses

Constant Feed Lubricator/Oiler



Specifications		
Model	Capacity	Diameter
30-CF	1 pint	1"

Green shading reflects rental inventory.

NPT Model Dirt Stoppers



Specifications
Model
D-1 1" NPT

Green shading reflects rental inventory.



250 PSI Air Hose



Specifications			
Length	Diameter	PSI	Fittings
10'	2"	250	4-prong Chicago/Universal crowfoot
25'			
50'			

Green shading reflects rental inventory.

Electric Cable Hoists

Wire Rope Cable Hoist Mounting Options

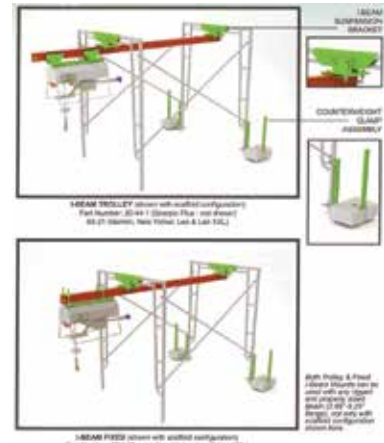
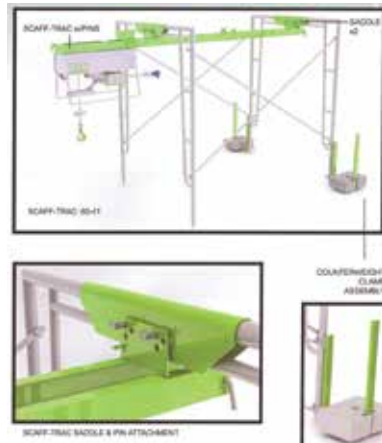
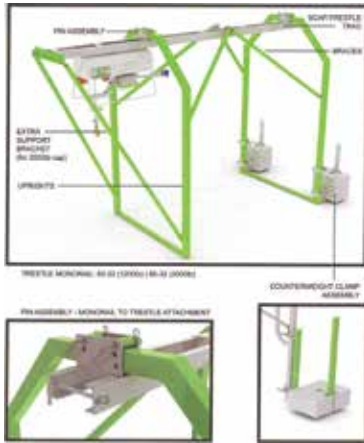
Post Mounted Portable Hoists – Scorpio XL



Vertical Post Mount

Our simplest mounting system is popular for attaching the lighter weight to existing scaffolding. Maximum load lift is 400 lbs. The Vertical Post Mount pivots 180°, allowing convenient unloading at work level. The Vertical Post Mount is shown with the Scorpio Plus Hoist.

I-Beam/Track/Monorail Mounted Portable Hoists



Trestle/Monorail Mount*

This is a heavy-duty system that is used with large capacity Beta Max Hoists that specify monorail mounting. The Trestle Monorail is easily installed for between-the-floor or rooftop lifting when properly counterbalanced. This system has a vertical capacity of up to 2,000 lbs. with a 3 1/2 ft. outward cantilever.

* The Scaff-Trac is the monorail component to the Trestle System, allowing for greater versatility.

Scaff-Trac Mount*

Our most popular mounting system attaches in minutes (no tools required) to existing scaffolding and can be used with all beta Max hoists. It features a 3 1/2 ft. over-hang on conventional 7 ft. spaced walk-thru scaffold frames. Unlimited system lengths are available using add-on 7 ft. Scaff-Trac Extensions. The Scaff-Trac has a weight limit of 1200 lbs. when used with conventional scaffolding. The Mac-Trac (Mason & Chimney) System is also available for use with 5 ft. mason-type scaffold frames

I-Beam Mount

Flexibility and versatility of Beta Max Systems are illustrated in the I-Beam Trolley Mount. All of our large-capacity hoists can be I-Beam mounted. The Rolling Trolley Mount and the Stationary I-Beam Systems (not shown) have a lifting capacity of 2,000 lbs., and is adjustable to fit most job-site I-Beam dimensions.

Beta Max Leo (VFD)
Variable Speed
1000lb/2000lb Hoist on
a Hydro Mobile mast
climbing work platform.



The Scaff-Trac and I-Beam Mounts adapt Beta Max Hoists to most continuous climbing scaffold and most climbing work platforms.



Beta Max Gemini Plus 110v
600lb/1200lb Hoist on a
rolling roof rig enable you
to have an 14' cantilever.



Electric Cable Hoists

Wire Rope Cable Hoist Accessories

Hoisting Accessories

Brick Fork



400 lb. capacity
29¹/₄"L x 7¹/₂"W x 37¹/₂"H
Max. Brick Size: 2¹/₂" x 3" x 8"



Block Fork



800 lb. capacity
24¹/₄"L x 24¹/₂"W x 34¹/₂"H
For lifting 8" x 8" x 16" block

Scaffold Frame Fork



600 lb. capacity
36¹/₄"L x 15"W x 25"H
Holds 10 scaffold frames

Basket



(with spreader bar)
800 lb. capacity
36³/₄"L x 36³/₄"W x 18¹/₂"H
400 lb. capacity*
30³/₄"L x 20³/₄"W x 12¹/₄"H



Brick Tray



(with spreader bar)
400 lb. capacity
29"L x 20"W x 20¹/₂"H

Dumpster Bucket



Easy to empty, swivels through 360° arc; 24, 31, 40 gal. capacities available



Wheelbarrow Sling



400 lb. regular duty capacity
800 lb. heavy duty capacity
Fits standard wheelbarrows

Spreader Bar



Perfect for lifting buckets or cross braces

Mud Tub



1/4 yard capacity
42"L x 27"W x 18"H 950 lbs.
1/3 yard capacity
42"L x 27"W x 28"H 1400 lbs.

Double Rope Kit



A rugged pulley and hook assembly designed for units with double-rope capabilities.



Counterweight Clamp Assembly



Easily attaches to Trestle Monorail and Scaff-Trac systems with tubular clamps. Use with 50 lb. suspended staging counter weights.



Electrical Accessories

Remote Control Extension



Dual Control Package



Power Cord Extension



110V or 220V

Booster Transformer



110V or 220V

Pendant Assembly



Wireless Dual Control Package



Electric Cable Hoists

400 – 2,000 Lbs. Wire Rope Portable Cable Hoist Specifications



Scorpio XL 110v



Gemini Plus 110v/220v



Leo/Leo Variable Speed Glazing Hoist



Specifications											
Model	Lifting Specifications			AC Power	Weight Unit (lbs.)	Operator Control Type	50' Pendant Extension Option	Mounting Options			
	Capacity (lbs.)	Height	Speed (fpm)					Vertical Post	Scaff Trac	Trestle/Mono	I-Beam Mount
Scorpio Plus XL	400	160'	80	110V-15 Amp	90	Wired or Wireless Remote Control	X	X	X	X	X
Gemini Plus	600/1,200*	220'/110'	80/40*	110V-30 Amp or 220V-20 Amp**	150	Wired or Wireless Remote Control	X	—	X	X	X
New Yorker	600	350'	80	220V-20 Amp	155	Wired or Wireless Remote Control	X	—	X	X	X
Leo	1,000/2,000*	220'/110'	80/40*	220V -10-20 Amp	200	Wired or Wireless Remote Control	X	—	X	X	X
Leo XXL	1,000/2,000*	400'/200'	80/40*	220V – 30-20 Amp	210	Wired or Wireless Remote Control	X	—	X	X	X
Leo VFD (variable speed)	1,000/2,000*	220'/110'	80/40*	220V – 10-30 Amp or 30-30 Amp	200	Wired or Wireless Remote Control	X	—	X	X	X
Leo VFD XXL (variable speed)	1,000/2,000*	400'/200'	80/40*	220V – 10-30 Amp or 30-30 Amp	230	Wired or Wireless Remote Control	X	—	X	X	X

Green shading reflects rental inventory.

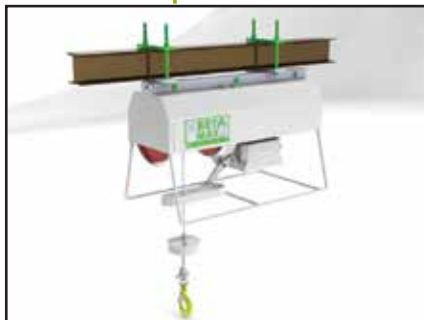
*Double Rope **Must be ordered 110V or 220V; cannot be field converted.

Ask about custom cable lengths. All Beta Max Hoist Systems meet or exceed ANSI & OSHA specifications.

Roller Top



Fixed I-Beam top



I-Beam Trolley Top



CAUTION: Before mounting any hoist to scaffolding, ensure that scaffold is erected in accordance with OSHA standards. Scaffolding MUST be properly pinned, braced and tied down. Consult local standards.



Minifors

220 – 2,000 Lbs. TR Series Specifications

Portable and powerful for unlimited heights of lift

- A complete range of electric hoists for a wide range of applications
- Rated loads of 220 lbs., 660 lbs., and 1,000 lbs. which can be doubled by a sheave kit
- Unlimited height of lift
- Unloaded wire rope freely suspended or optional rope reeler
- Pendant control
- Direct lift or sheaving kit for increased capacity
- Single phase or 3 phase power

Quality & Power

- High power to weight ratio
- Body in aluminum alloy
- Unlimited length of lifting wire rope
- Wire rope, dia. 0.25 in. (6.5 mm)
- 110V standard

Safety

- Upper and lower adjustable end limit stops
- Motor integrated brake



TR50/TR30S



TR30



Minifor® TR10-TR30 Kit



Specifications

Capacity (lbs.)		Model	Dimensions L x W x D	Weight (lbs.)	Lifting Speed (ft./min.)		Power Supply
Direct	Sheaved				Direct	Sheaved	Single Phase 110 V
220	441	TR10	14" x 9" x 17"	46	50	25	✓
660	1,320	TR30	14" x 9" x 17"	46	17	8.5	✓
660	1,320	TR30S	19" x 9" x 17"	71	43	21	✓
1,000	2,000	TR50	19" x 9" x 17"	71	23	11.5	✓

Green shading reflects rental inventory.



Maxial Track Hoist

450 Lbs. Maxial Track Hoist Specifications



Specifications	
Lift Capacity	450 lbs.
Lift Speed	80 fpm
Lift Height*	125' or 175'
Wire Rope Length	250 ft. (1/4" GAC) / 350 ft. (3/16 GAC)
Maxial Motor	110V – 1.5hp single phase, full enclosed, fan cooled
Controller	24V – A/C Overload Sensing Device, Built-in Voltage/Amp Meter and System Status Indicator Lights
A/C Power	110v, 20amp, 1 Φ . Optional 220v available.
Track Sections	6'6", 9'9" & 3'3" lengths (23 1/2" wide) Only 3 lbs. per ft.

Green shading reflects rental inventory.

The Maxial Track Hoist System revolutionized scaffold erection!

The Maxial System offers a fast, easy solution to the transportation of both frame or system scaffold and the delivery of building materials needed to stock higher scaffold bays.

- Delivers either system or frame scaffold to heights of over 175 ft.
- Provides continual scaffold and material delivery at over 80 ft. per minute.
- Improves job site productivity, increases morale, and reduces job site injuries
- Substantially lowers overall labor costs.

*After scaffold is erected, other trades can use the hoist for lifting general materials.
Trades like: General Contractors, Specialty Contractors, and EIFS.*



Maxial Track Hoist

450 Lbs. Maxial Track Hoist Accessories

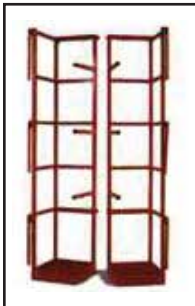
Available For
RENTAL



Modular Scaffold Carrier
2'L x 1'1"D x 6'H



Frame Scaffold Carrier
5'4"L x 1'6"D x 6'H



Systems Scaffold Carrier
2'L x 1'1"D x 6'H



Universal Platform
2'6"L x 1'5"D x 3'H



Maxial Track Sections



Scaff Clamp



Base Feet



Top Stop



Bottom Stop



Controller



Motor



Kwik Bolt



Roofing Hoists

2,000 Lbs. HS2000 Hydraulic Swing Hoist and HydraWinch Specifications

Swing Hoist Specifications	
Hoist Model	HS2000
Capacity	2,000 lbs.
Standard Winch	HW2000S
Cable: Supplied/Max	200/300 ft.
Optional Winch	HydraWinch HD
Cable: Supplied/Max	730 ft.
Hoist Speed (Winch)	165/82 fpm*
Counterweight Req'd.	2,000 lbs.
Ballast Included	40 pcs.
Frame Weight	691 lbs.
Overall Height (to top of boom)	153 in.
Boom Overhang	60 in.

HydraWinch Options		
Winch Model	HW2000S	HydraWinch HD
Capacity	1000/2000 lbs.	1000/2000 lbs.
Max Lifting Speed	Up to 165 fpm (1-part line) Up to 82 fpm (2-part line)	Up to 200 fpm (1-part line) Up to 100 fpm (2-part line)
Cable Supplied	200 ft..	730 ft..
Cable Max	300 ft.	730 ft.
Max Lifting Height	285' @ 660 lbs.	700' @ 1000 lbs.
Weight (approx.)	124 lbs.	216 lbs.

Green shading reflects rental inventory.



HydraWinch HD

The Heavy Duty HydraWinch will increase the serviceability of your Swing Hoist by lifting 2,000 lbs. up to 350 ft. The HydraWinch HD also meets all ANSI specifications.



HydraPaks

A variety of HydraPaks can be used with RGC Swing Hoists. Choose these models: 16 or 18 HP B & S gas engine; 13 HP Honda gas engine.



Trash Trays

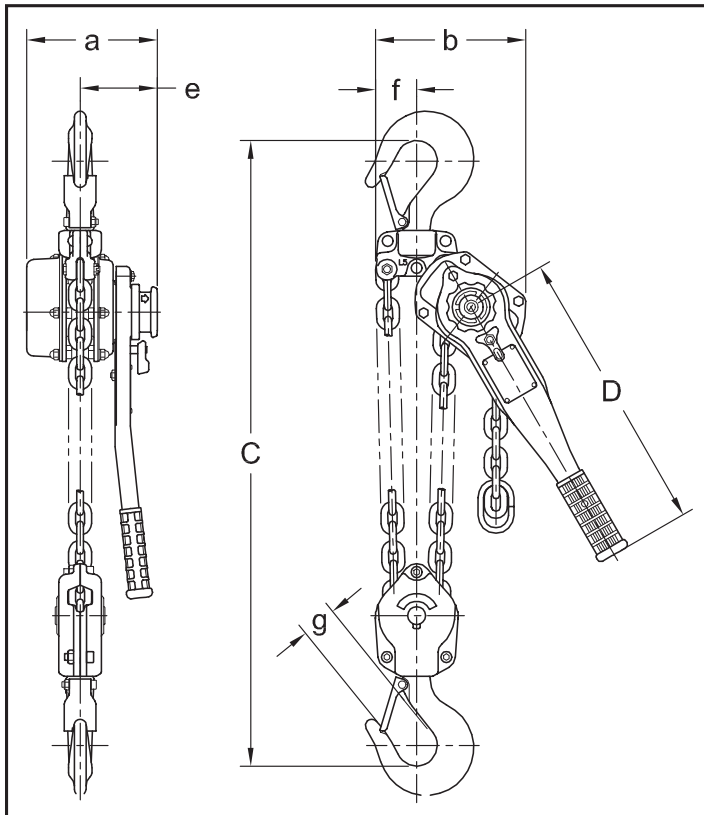
The 1,200 lb. capacity tray is ideal for tear-off debris. Weighs only 165 lbs. and measures 90 in. w x 40 in. d x 12 in. h. The 400 lb. capacity unit weighs 63 lbs. with dimensions of 61 in.W x 33 in.D x 12 in.H.



Come-A-Longs

3/4 – 9 Ton LB Model L5 Lever Hoist Specifications

LB060



LB090



Dimensions & Specifications

Capacity (Tons)	Model	Headroom C (in.)	Pull to Lift Load* (lbs.)	a	b	D*	e	f	g	Load Chain Dia. (mm)	Weight (lbs.)	Weight for Additional One Foot of Lift (lbs.)	Strands of Load Chain
3/4	LB008	11.0"	58	6.0"	4.8"	10.4"	4.0"	1.4"	0.9"	5.6	14	0.4	1
1	LB010		77										
1 1/2	LB015	13.8"	58	6.7"	5.6"	16.3"	4.3"	1.8"	1.3"	7.1	21	0.8	1
2	LB020		77										1
3	LB030	16.5"	70	7.7"	7.0"	16.3"	4.5"	2.0"	1.6"	9.0	34	1.2	1
6	LB060	22.4"	72		8.7"			2.4"	2.0"		60	2.4	2
9	LB090	27.8"	74		11.1"			3.9"	2.9"		93	3.6	3

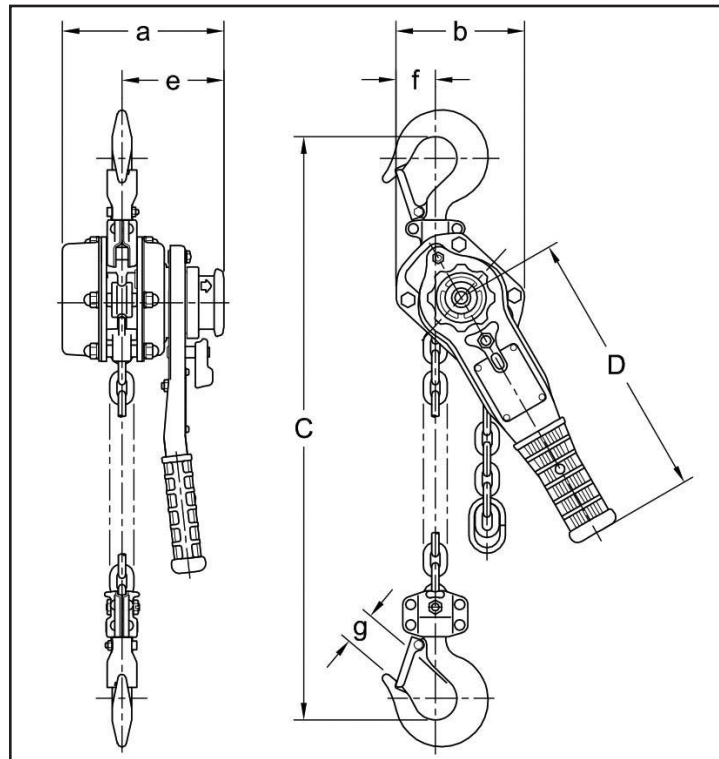
*Figures in parentheses are for hoists with the optional load limit warning handle.
Green shading reflects rental inventory.



Come-A-Longs

1.5 Ton LB Model with Overload Protection Specifications

Harrington - LB015



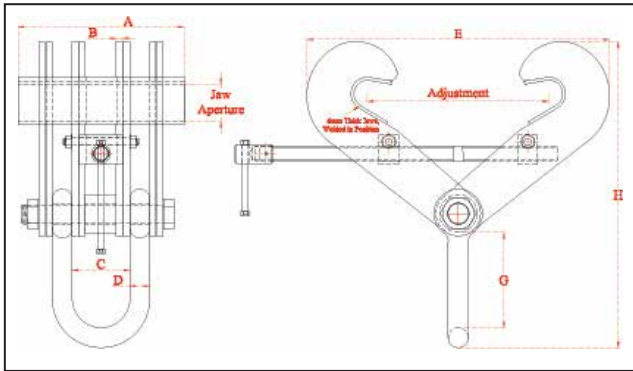
Specifications & Dimensions													
Model	Capacity (Tons)	Headroom C	Pull to Lift Load (lbs)	a	b	D	e	f	g	Load Chain Dia. (mm)	Weight (lbs)	Weight for Additional One Foot of Lift (lbs)	Strands of Load Chain
LB015	1.5	13.8"	58	6.7"	5.6"	16.3"	4.3"	1.8"	1.3"	7.1	21	0.8	1



Beam Clamps

6,720 – 67,200 Lbs. Fixed Jaw Adjustable Girderdog/Swivel Jaw Adjustable Girder Clamp Specifications

S15, S16, S17, S18, S19, S20



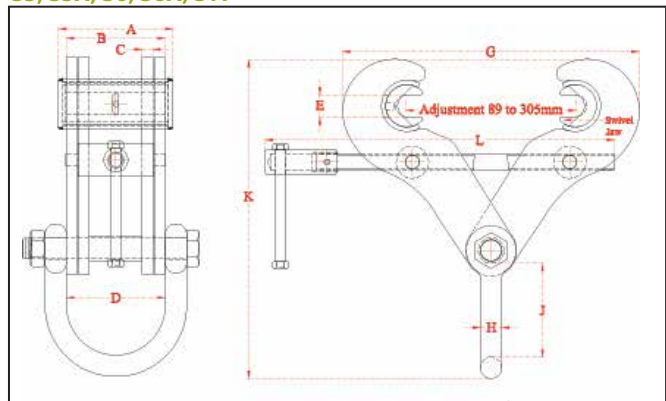
FIXED JAW 'SUPERCLAMP' ADJUSTABLE GIRDERDOGS

Incorporating Adjusting Mechanism and Lifting Shackle

Model	WLL		Jaw Grip Adjustment Min-Max	Jaw Aperture	Dimensions							Weight (lbs.)
	lbs.	kg			A	B	C	D	E	G	H	
S15	44,800	20,320	8" – 18"	2"	13.2"	.49"	4.6"	1.6"	29.8"	7.3"	24.3"	144.4
S16	44,800	20,320	16" – 24"	2.5"	13.8"	.49"	4.6"	1.6"	31.3"	7.3"	26.5"	169.8
S17	56,000	25,400	8" – 18"	2"	13.2"	.59"	5.1"	1.8"	24"	7.6"	24.4"	166.5
S18	56,000	25,400	16" – 24"	2.5"	13.8"	.59"	5.1"	1.8"	31.3"	7.3"	26.7"	198.4
S19	67,200	30,480	8" – 18"	2.5"	13.8"	.79"	5.1"	1.8"	24.7"	7.3"	24.6"	202.8
S20	67,200	30,480	16" – 24"	3"	13.8"	.79"	5.1"	1.8"	30.9"	7.3"	27.2"	235.9

Green shading reflects rental inventory.

S5, S5A, S6, S6A, S11



SWIVEL JAW 'SUPERCLAMP' ADJUSTABLE GIRDER CLAMPS

Incorporating Machined Jaw, Adjusting Mechanism and Lifting Shackle

Model	WLL		Jaw Grip Adjustment Min-Max	Jaw Aperture	Dimensions (in.)									Weight (lbs.)	
	lbs.	kg			A	B	C	D	E	G	H	J	K		L
S5	6,720	3,048	3.5" – 12"	1"	5.3"	3.7"	.24"	3.7"	1"	13.7"	.79"	4"	14.1"	16.1"	22
S5A	6,720	3,048	3.5" – 12"	1"	5.3"	4.6"	.40"	4.6"	1"	13.7"	.98"	4.3"	14.8"	16.1"	31
S6	11,200	5,080	3.5" – 12"	1"	5.3"	4.6"	.40"	4.6"	1"	13.7"	.98"	4.3"	14.8"	16.1"	31
S6A	11,200	5,080	3.5" – 12"	1"	5.3"	4.6"	.49"	4.6"	1"	13.7"	.98"	4.3"	14.8"	16.1"	34
S11	22,400	10,160	3.5" – 12"	1"	5.3"	4.6"	.79"	4.6"	1"	13.7"	1.3"	4.4"	15.4"	16.1"	47

Green shading reflects rental inventory.

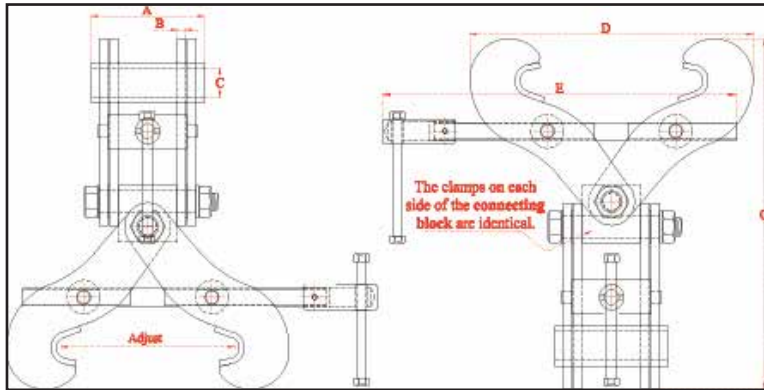
Riley (Lifting Equipment) Ltd



Beam Clamps

6,720 – 33,601 Lbs. Adjustable Double Ended Monorail Construction Clamp/Fixed Jaw Adjustable Girder Clamps

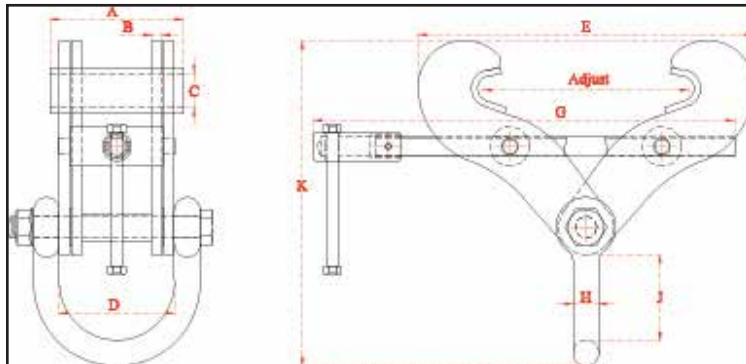
S7, S8



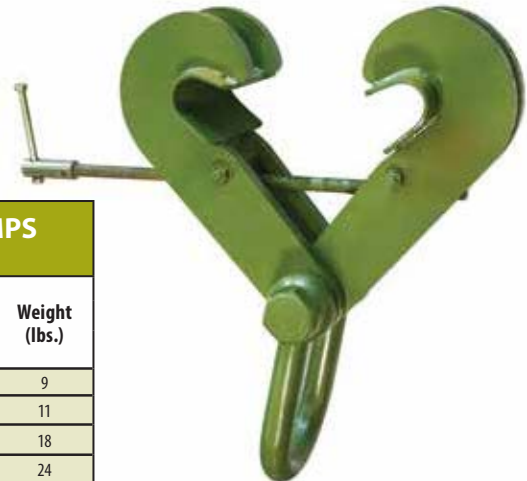
ADJUSTABLE DOUBLE ENDED 'SUPERCLAMP' MONORAIL CONSTRUCTION CLAMPS										
Incorporating Stationary Height Stabilizer Block										
Model	WLL		Jaw Grip Adjustment Min-Max	Dimensions						Weight (lbs.)
	lbs.	kg		A	B	C	D	E	G	
S7	6,720	3,048	3" – 7.5"	4.7"	.24"	.87"	7.4"	10.8"	11.7"	19.8
S8	8,960	4,064	6" – 10"	5.1"	.39"	.87"	12.9"	16.1"	15.4"	40.8

Green shading reflects rental inventory.

S1, S2, S2A, S3, S3A, S3X, S4A, S4S, S12, S14



Riley 10T Superclamp S4A



FIXED JAW 'SUPERCLAMP' ADJUSTABLE GIRDER CLAMPS														
Incorporating Adjusting Mechanism and Lifting Shackle														
Model	WLL		Width Adjustment Min-Max	Dimensions										Weight (lbs.)
	lbs.	kg		A	B	C	D	E	G	H	J	K		
S1	4,480	2,032	3" – 7.5"	5"	.12"	.87"	3.5"	7.4"	10.8"	.8"	3"	10"	9	
S2	6,720	3,048	3" – 7.5"	5"	.24"	.87"	3.5"	7.4"	10.8"	.8"	3"	10"	11	
S2A	6,720	3,048	3" – 7.5"	5.1"	.5"	.87"	4"	10"	10.8"	.8"	4"	11"	18	
S3	8,960	4,064	6" – 10"	5.1"	.4"	.87"	4.5"	13"	16"	1"	4"	13"	24	
S3A	11,200	5,080	6" – 12"	5.5"	.5"	1.3"	4.6"	14.7"	16"	1"	4.3"	14"	33	
S3X	11,200	5,080	3" – 7.5"	5.1"	.5"	.87"	4.6"	9.3"	11.6"	1"	4.3"	11.8"	22	
S4A	22,400	10,160	8" – 18"	5.5"	.8"	1.7"	4.6"	19.6"	22"	1.3"	4.4"	18.7"	62	
S4S	13,440	6,096	8" – 18"	5.5"	.5"	1.7"	4.6"	19.6"	22"	1"	4.3"	18"	41	
S12	33,601	15,241	8" – 18"	6.7"	.8"	2"	4.6"	24"	26"	1.6"	7.3"	24.3"	109	
S14	33,601	15,241	16" – 24"	7"	.8"	2.5"	4.6"	31.3"	32"	1.6"	7.3"	26.5"	129	

Green shading reflects rental inventory.

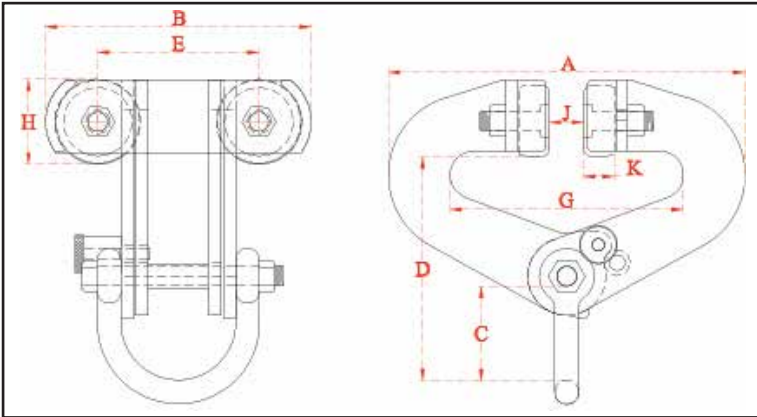
Riley (Lifting Equipment) Ltd



Beam Trolleys

6,720 – 44,895 Lbs. Autolock Runway Beam/Adjustable Geared Runway Beam Trolley Model Specifications

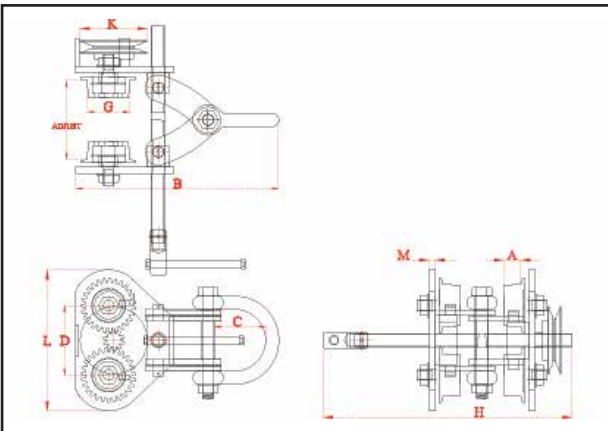
A1,A2,A3



AUTOLOCK 'SUPERCLAMP' PUSH RUNWAY BEAM TROLLEYS													
Incorporating Wheelguarding Anti-Drop Plates, Lifting Shackle.													
Model	WLL		Max Flange Thickness	Dimensions									Weight (lbs.)
	lbs.	kg		A	B	C	D	E	G	H	J	K	
A1	6,720	3,048	.87"	15"	11"	4.3"	9.8"	6.7"	3" – 9"	3.2"	1.2"	1.3"	46.3
A2	13,440	6,096	1.2"	19.7"	11.7"	4.3"	11.4"	6.7"	4" – 12"	3.5"	1.6"	1.5"	72.8
A3	22,400	10,160	1.2"	22.8"	11.4"	5.3"	12.2"	6.7"	4" – 12"	4.3"	1.6"	1.5"	104.7

Green shading reflects rental inventory.

GBTI, GBT2, GBT3, GBT4, GBT5



ADJUSTABLE 'SUPERCLAMP' GEARED RUNWAY BEAM TROLLEYS														
Incorporating Wheelguarding Anti-Drop Plates, Width Adjusting and Chain Wheel, Chain, and Lifting Shackle														
Model	WLL		Width Adjustment Min-Max	Max Flange Thickness	Dimensions									Weight (lbs.)
	lbs.	kg			A	B	C	D	G	H	K	L	M	
GBT1	6,720	3,048	3" – 8"	1"	1.3"	15.6"	4.4"	5.2"	3.2"	18.7"	5"	10.6"	.5"	68
GBT2	13,440	6,096	4.1" – 12"	1.2"	1.3"	20.3"	4"	7"	5"	22"	5"	14"	.6"	127
GBT3	22,400	10,160	6.3" – 12"	1.5"	1.6"	22.4"	5"	8"	5.7"	22"	6"	17"	.6"	183
GBT4	33,665	15,270	8.3" – 18"	3"	2"	34"	8"	9.7"	7.5"	31"	9"	20.2"	.8"	354
GBT5	44,895	20,363	8.3" – 18"	3"	2"	38.2"	9"	11.5"	8.7"	31"	9"	24"	.8"	440

Green shading reflects rental inventory.

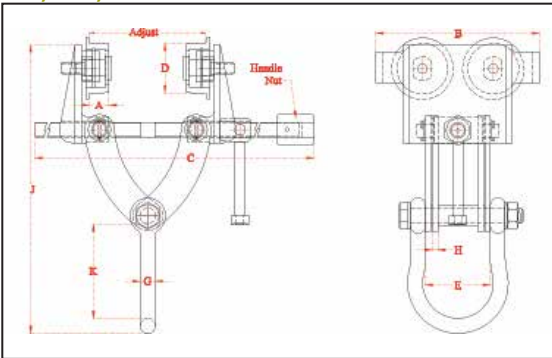
Riley (Lifting Equipment) Ltd



Beam Trolleys

2,240 – 22,400 Lbs. Adjustable Runway Model Specifications

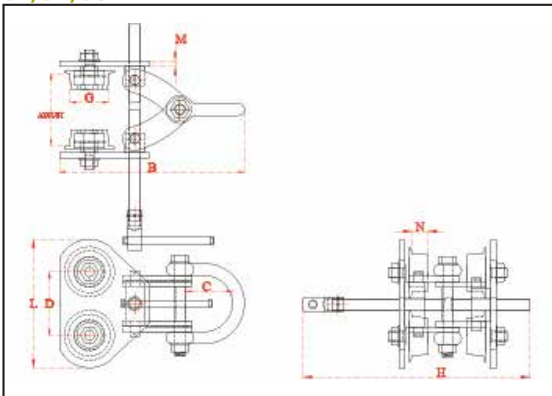
BA1, BA2, BA3



ADJUSTABLE 'SUPERCLAMP' PUSH RUNWAY BEAM TROLLEYS															
Incorporating Wheelguarding Anti-Drop Plates, Width Adjusting and Lifting Shackle															
Model	WLL		Width Adjustment Min-Max	Max Flange Thickness	Dimensions										Weight (lbs.)
	lbs.	kg			A	B	C	D	E	G	H	J	K	L	
BA1	2,240	1,016	2.5" – 8"	1"	.55"	7"	14"	1.8"	2.8"	.63"	.24"	12"	4"	9.6"	14.3
BA2	3,360	1,524	3" – 8"	1"	.83"	7"	14"	2.1"	2.8"	.63"	.24"	12"	4"	9.5"	15.4
BA3	4,480	2,032	3" – 8"	1"	.83"	7"	14"	2.1"	2.8"	.63"	.31"	12"	4"	9.5"	15.4

Green shading reflects rental inventory.

B1, B2, B3



ADJUSTABLE 'SUPERCLAMP' RUNWAY BEAM TROLLEYS													
Incorporating Wheelguarding Anti-Drop Plates, Width Adjusting and Lifting Shackle													
Model	WLL		Width Adjustment Min-Max	Max Flange Thickness	Dimensions							Weight (lbs.)	
	lbs.	kg			B	C	D	G	H	L	M		N
B1	6,720	3,048	2.5" – 8"	1.1"	15.6"	4.4"	5.24"	3.2"	19"	10.6"	.5"	1.3"	52
B2	13,440	6,096	4.1" – 12"	1.3"	20.3"	3.9"	7"	4.9"	22"	14"	.6"	1.3"	110
B3	22,400	10,160	6.3" – 12"	1.5"	22.4"	5.1"	7.9"	5.7"	31"	17"	.6"	1.6"	164

Green shading reflects rental inventory.

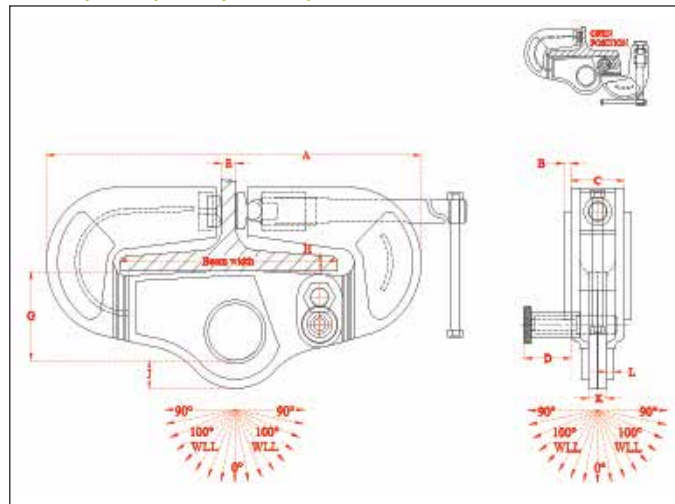
Riley (Lifting Equipment) Ltd

Beam Clamps & Trolleys

6,720 – 22,400 Lbs. Universal Model Specifications



USC3A, USC4, USC5, USC5D, USC5D400



UNIVERSAL 'SUPERCLAMP' DIMENSIONS														
For Side Load Applications Where Conventional 'SUPERCLAMPS' Are Unsuitable														
Model	WLL		Beam Width Min-Max	Dimensions										Weight (lbs.)
	lbs.	kg		A	B	C	D	E	G	H	J	K	L	
USC3A	6,720	3,048	5" – 8"	15.2"	N/A	2.8"	1.9"	1.3"	4"	1"	1.1"	.8"	N/A	30
USC4	8,960	4,064	5" – 12"	20.4"	.4"	2.8"	1.9"	1.3"	4"	1"	1.1"	.4"	.4"	52
USC5	11,200	5,080	5" – 12"	20.6"	.4"	3"	1.9"	1.3"	4.7"	1"	1.1"	1"	.4"	63
USC5D	22,400	10,160	5" – 12"	20.6"	.4"	3"	4"	1.3"	4.7"	1"	1.1"	1"	.5"	74
USC5D400	22,400	10,160	9" – 16"	24.6"	.4"	3"	4"	1.3"	4.7"	1"	1.1"	1"	.5"	95

Green shading reflects rental inventory.

Riley (Lifting Equipment) Ltd

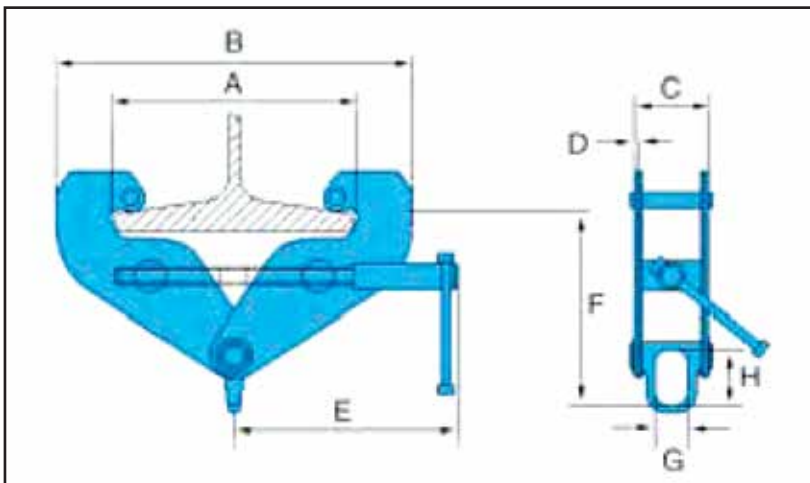
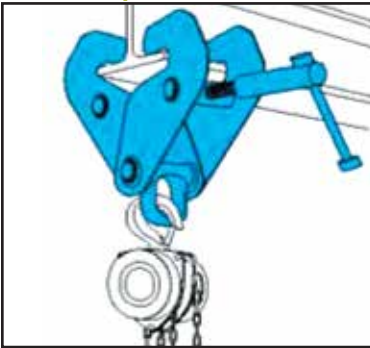


Beam Clamps & Trolleys

1 – 10 Ton Model Specifications



Beam Clamp



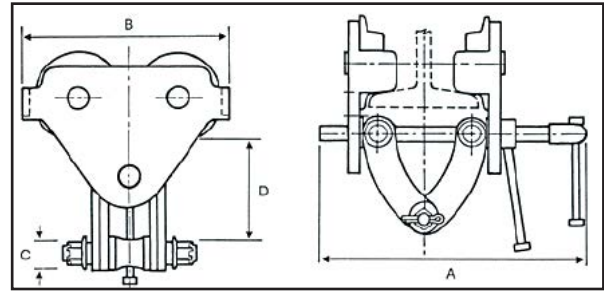
Dimensions													
WLL	Model	A max.	B min.	B max.	C	D	E min.	F min.	F max.	G	H	Beam Width	Weight (lbs.)
1 t	LT-1B	10.6"	7.1	15	3	0.2	8.3	4.7	6.9	1.2	1.8	3 – 9.3	10.6
2 t	LT-2B	10.6	7.2	15	3.3	0.2	8.3	5.1	7.1	1.2	1.6	3 – 9.3	12.3
3 t	LT-3B	14.2	9.3	13.9	4.5	0.3	10.8	6.9	9.8	1.8	2.4	3.7 – 13.2	24
5 t	LT-5B	13.9	10	13.9	5.4	0.4	9.6	5.5	8.7	1.8	2.4	3.7 – 13	27.1
10 t	LT-10B	12.6	10	22.8	6.3	0.5	110.8	9.8	11.8	2.4	3.5	3.5 – 13.8	46.3

Green shading reflects rental inventory.



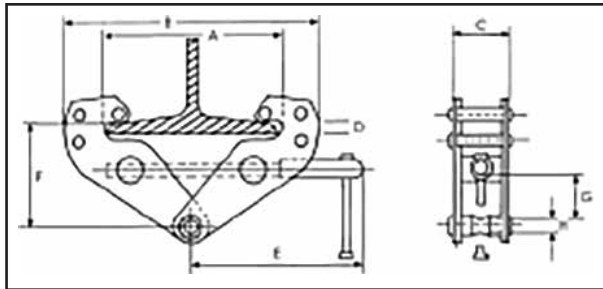
Beam Clamps & Trolleys

1 – 10 Ton Model Specifications



Push Trolley Specifications								
Model	Safe Working Load (lbs.)	Adjustable Flange Width	A	B	C	D	Minimum Curve Radius	Weight (lbs.)
OZ1BTC	2,000	2.48" – 4.88"	2.95" – 9.05"	14.96" max.	2.51"	.90"	9.13'	3.54 – 5.90
OZ2BTC	4,000	2.99" – 8.27"	2.95" – 9.05"	14.96" max.	2.91"	.90"	9.13'	3.54 – 5.90
OZ3BTC	6,000	2.99" – 8.27"	3.15" – 12.60"	18.50" max.	3.94"	1.57"	10.63'	5.71 – 8.66
OZ5BTC	10,000	3.94" – 12.01"	3.54" – 12.60"	19.68" max.	4.41"	1.57"	10.90'	5.71 – 8.66

Green shading reflects rental inventory.



Oz 3T Beam Clamp OZ3BC



Beam Clamp Specifications										
Model	Safe Working Load (lbs.)	A	B	C	D	E	F	G	H	Weight (lbs.)
OZ1BC	2,000	2.95" – 9.05"	14.96" max.	2.51"	.90"	9.13"	3.54" – 5.90"	1.02"	.75"	9
OZ2BC	4,000	2.95" – 9.05"	14.96" max.	2.91"	.90"	9.13"	3.54" – 5.90"	1.02"	.87"	11
OZ3BC	6,000	3.15" – 12.60"	18.50" max.	3.94"	1.57"	10.63"	5.71" – 8.66"	2.63"	.96"	21
OZ5BC	10,000	3.54" – 12.60"	19.68" max.	4.41"	1.57"	10.90"	5.71" – 8.66"	3.50"	1.30"	27
OZ10BC	20,000	3.54" – 12.60"	20.47" max.	4.72"	1.60"	11.22"	6.30" – 9.05"	3.87"	1.60"	35

Green shading reflects rental inventory.



Barrier Grabs

8,500 – 14,500 Lbs. BLG Model Specifications



Model 74

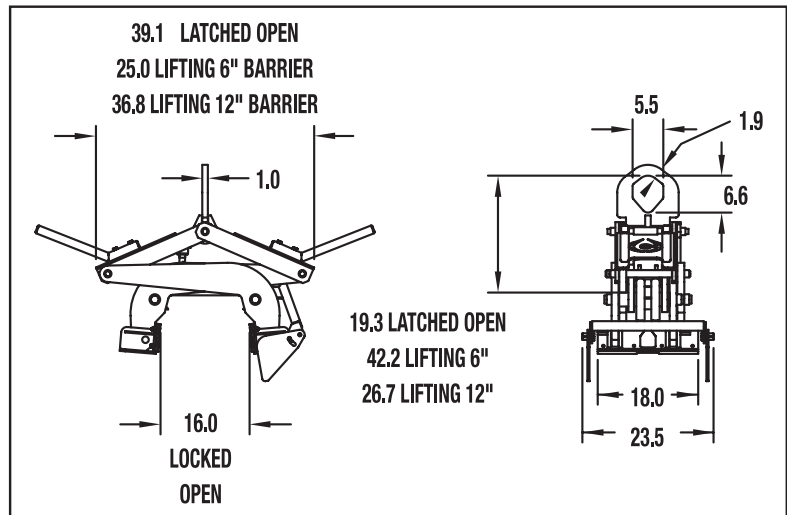


Specifications		
Model	Capacity (lbs.)	Weight (lbs.)
Polyurethane Lifting Pad		
74 – 4 1/4	8,500	602
74 – 7 1/4	14,500	652
Steel "Dog Point" Lifting Pads		
74 – 4 1/4 DP	8,500	602
74 – 7 1/4 DP	14,500	652

Green shading reflects rental inventory.

Product Features:

- Special Auto-Latch mechanism makes operation virtually hands free.
- No need to attach and secure lifting chains or slings.
- Barriers suffer far less damage resulting in longer life and reduced cost.
- The grab moves barriers quicker and easier than manual methods, resulting in less man-hours.
- There is no need to drill holes in the barriers to accommodate chains or slings.
- Replaceable polyurethane lifting pads are designed for unpainted barriers.
- Replaceable steel 'Dog Point' lifting pads are designed for painted barriers (typical in coastal areas).
- Designed and manufactured to ASME standards.



Place tong on barrier, lower crane completely to disengage the Auto-Latch.

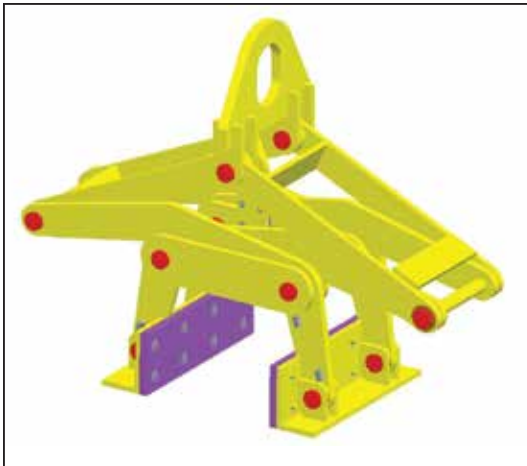
Lift and position barrier in desired location.

Lower crane, line must go slack to engage Auto-Latch, lift tong off barrier and Repeat!



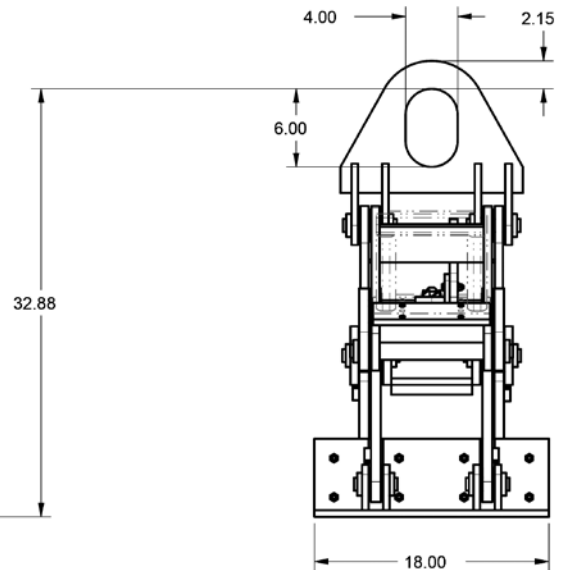
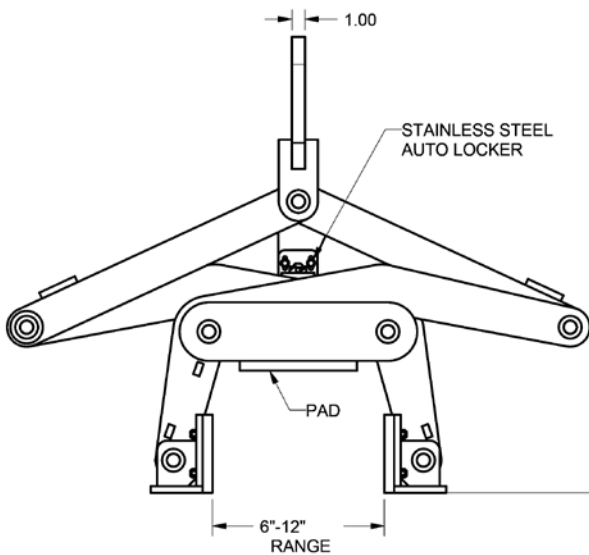
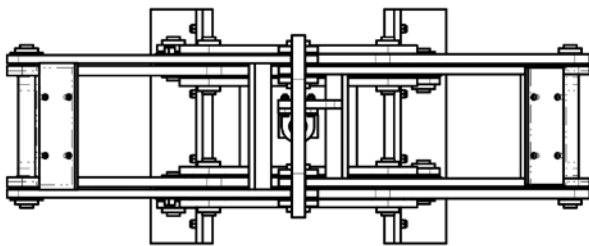
Barrier Grabs

9,000 Lbs. Model Specifications



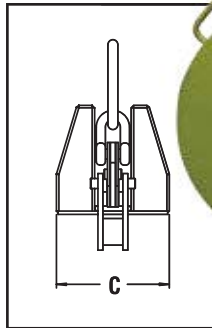
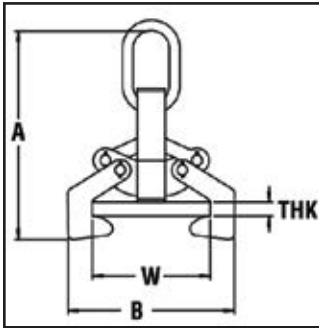
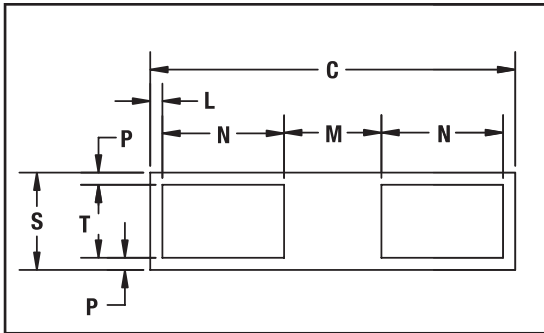
Product Features:

- Manufactured to exceed all ASME B30.20 and OSHA regulations.
- Durable construction ideally suited to jobsite or warehouse use.
- Made in U.S.A.
- Heavy-duty design for outdoor environments where barriers are commonly used.
- Stainless steel indexing latch mechanism.
- Rugged gripping pads swivel to conform to load.
- Indexing latch mechanism uses gravity to cause barrier lifter tongs to close tightly.
- Indexing latch mechanism also releases the barrier from the tongs.
- Large lifting eye accommodates crane hook.
- Handles barriers with 6" to 12" width at the top of the barrier.
- 9,000 pound capacity.

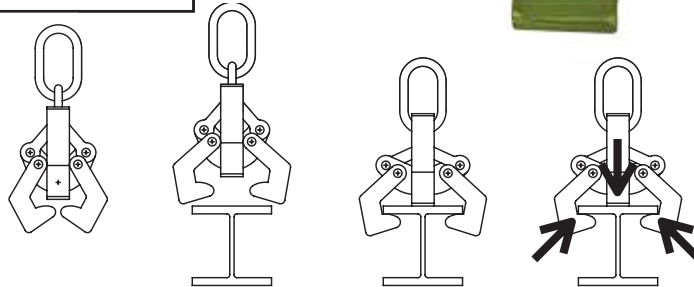


Girder Clamps

5 – 35 Ton Model F Beam Grab Specifications



35 Ton Girder Clamp F-35



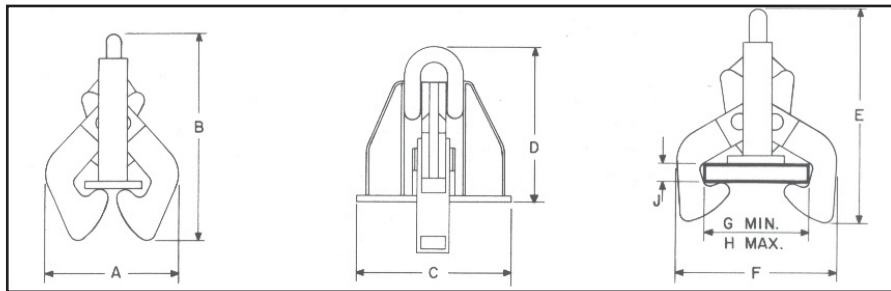
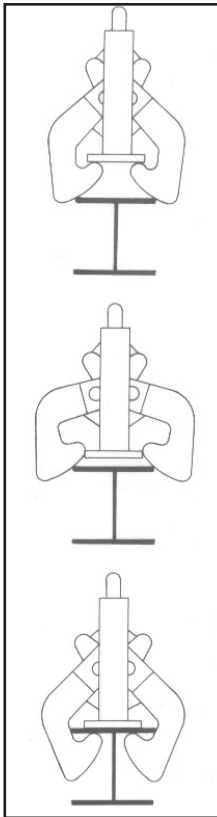
Specifications														
Model Number	Capacity (Tons)	Dimensions											Weight (lbs.)	
		A	B	C	Flange Width (w)	Flange Thickness (THK)		S	N	T	M	L		P
						Min.	Max.							
F-5	5	22.70"	15.70"	11.60"	4"	.25"	.25"	3"	3"	2"	4.60"	.50"	.50"	68
					5"	.25"	.38"							
					6" – 10"	.25"	1"							
F-15	15	30.10"	25.10"	17.50"	7"	.50"	.75"	4"	4"	2.50"	7.30"	.90"	.80"	182
					8"	.50"	1"							
					9"	.50"	1.25"							
					10"	.50"	1.25"							
					11" – 17"	.25"	2"							
F-25	25	44.80"	45.20"	24.50"	16" – 17"	1.25"	3"	5.50"	6"	4"	9.80"	1.30"	.80"	541
					18" – 24"	1"	3"							
F-35	35	52.90"	61.60"	28.50"	16" – 18"	2.25"	4"	6"	9.30"	4.50"	8.50"	.80"	.80"	841
					20" – 22"	2"	4"							
					24"	1.75"	4"							
					26"	1.75"	4"							
					28" – 36"	1"	4"							

Green shading reflects rental inventory.



Girder Clamps

5 – 35 Ton Model F/NS Beam Grab Specifications

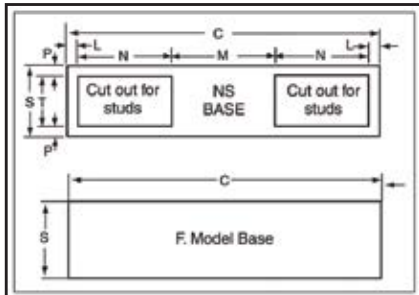


Specifications

Model	WLL (Tons)*	Flange Grip		Weight (lbs.)	Dimensions								
		Width Range Min. Max.	Thickness		A	B	C	D	E	F	G	H	J
F-5	5	4 to 10	.5 – 1	70	9.5"	26"	12"	20"	25.5"	16"	4"	10"	1"
F-15 NS-15	15	7 to 17	.5 – 2	153	15.5"	34"	17"	27"	34.5"	25"	7"	17"	2"
F-25 NS-25	25	16 to 24	1 – 3	290	23"	48"	22.25"	36"	53"	37.25"	16"	24"	3"
F-35 NS-35	35	16 to 36	1.63 – 4	519	30"	64"	27.5"	48"	58"	53"	16"	36"	4"

Green shading reflects rental inventory.

* Maximum Proof Load is 2 times the Working Load Limit.



NS Base Dimensions

Model	C	L	M	N	P	S	T
F-5	13.5"	--	--	--	--	3"	--
F-15	17"	--	--	--	--	4"	--
NS-15	17"	.5"	6.5"	4.5"	.75"	4"	2.5"
F-25	22.25"	--	--	--	--	5.5"	--
NS-25	22.25"	.75"	7.75"	6.5"	.75"	5.5"	4"
F-35	27.5"	--	--	--	--	6"	--
NS-35	27.5"	.75"	9"	8.5"	.75"	6"	4.5"

Green shading reflects rental inventory.

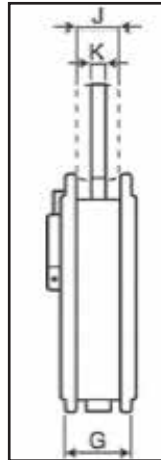
the Crosby[®] group



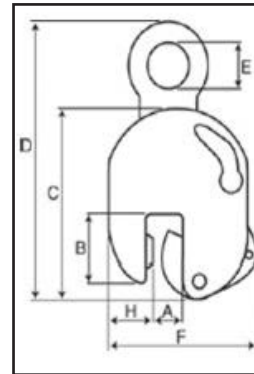
Plate Clamps

1/2 – 30 Ton IPU Universal Model Specifications

IPU10



IPU10



Specifications												
Model	WLL (Tons)*	Weight (lbs.)	Dimensions									
			Jaw A	B	C	D	E	F	G	H	J	K
IPU10	.5	4.19	0" – .63"	1.73"	5.04"	8.98"	1.57"	4.53"	1.61"	1.10"	---	.43"
IPU10	1	5.29	0" – .75"	1.77"	5.47"	8.74"	1.57"	4.96"	1.61"	1.50"	---	.43"
IPU10	2	18.7	0" – 1.38"	3.07"	7.91"	14.65"	2.76"	7.48"	2.40"	2.17"	---	.79"
IPU10	3	32.6	0" – 1.56"	3.94"	9.96"	17.52"	2.95"	8.86"	3.07"	2.36"	---	.79"
IPU10	4.5	35.3	0" – 1.56"	3.94"	9.96"	17.52"	2.95"	9.13"	3.23"	2.56"	---	.79"
IPU10	6	53	0" – 2"	4.96"	11.89"	20.67"	3.15"	11.50"	3.31"	3.74"	1.73"	.79"
IPU10/J	6	67.3	2" – 4"	4.96"	11.89"	20.67"	3.15"	13.46"	3.31"	3.74"	1.73"	.79"
IPU10	9	65.0	0" – 2"	4.96"	12.80"	21.93"	3.15"	12.20"	3.62"	4.13"	1.73"	.79"
IPU10/J	9	67.2	2" – 4"	4.96"	12.80"	22.13"	3.15"	14.17"	3.62"	4.13"	1.73"	.79"
IPU10	12	126	0" – 2.13"	6.30"	15.39"	24.53"	3.15"	13.03"	4.61"	5.39"	1.61"	.98"
IPU10/J	12	130	2.13" – 4.25"	7.01"	17.28"	26.50"	3.15"	16.34"	4.61"	5.39"	1.61"	.98"
IPU10	16	159	.25" – 2.5"	7.01"	18.31"	28.90"	3.46"	15.63"	4.69"	6.02"	1.77"	.98"
IPU10/J	16	187	2.5" – 5"	8.19"	20.51"	31.10"	3.46"	18.58"	4.69"	6.34"	1.77"	.98"
IPU10	22.5	280	.25" – 3.13"	8.74"	21.81"	33.66"	4.33"	18.50"	5.35"	7.32"	1.93"	.98"
IPU10/J	22.5	287	3.13" – 6.13"	9.96"	24.72"	36.61"	4.33"	22.64"	5.35"	7.72"	1.93"	.98"
IPU10	30	337	.25" – 3.13"	8.74"	21.46"	33.86"	4.33"	18.50"	5.35"	7.32"	2.13"	1.18"
IPU10/J	30	364	3.13" – 6.13"	9.84"	24.41"	36.81"	4.33"	22.24"	5.35"	7.72"	2.13"	1.18"

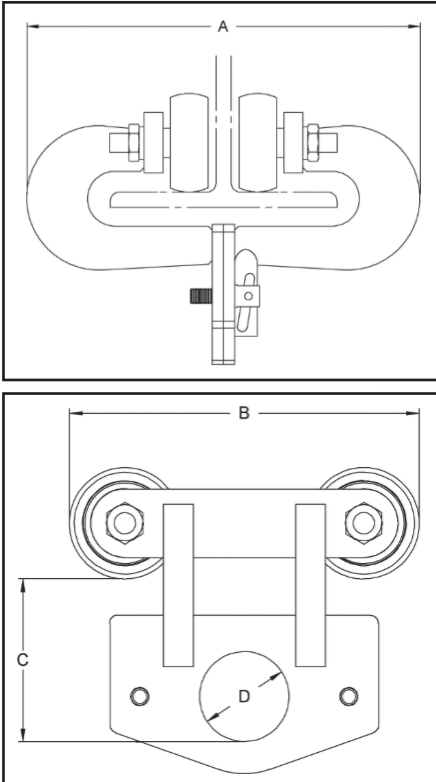
Green shading reflects rental inventory.

Before using the clamp, always read the Operator's Manual supplied.

* Design Factor based on EN 13155 and ASME B30.20.

Beam Trolleys

1 – 6 Ton Riggers Specifications (Top) / 1 – 5 Ton Saflok Specifications (Bottom)



Riggers

Technical Information – Suitable for Beam Flange							
Model	S.W.L. (lb/tons)	Weight (lbs.)	Width Min-Max	A	B	C	D
T20	1 ton	18	3" – 8"	13 7/16"	8"	3 1/2"	1 1/2"
T60	3 ton	30	3" – 8"	13"	10 1/2"	4 5/8"	2 1/2"
T120	6 ton	55	4" – 10"	17 7/16"	12"	6"	3 1/2"

Green shading reflects rental inventory.



Saflok

Technical Information – Suitable for Beam Flange							
Model	S.W.L. (lb/tons)	Weight (lbs.)	Width Min-Max	A	B	C	D
T20	1 ton	13	3" – 6"	10.64"	7.99"	3.86"	1.50"
T20W	1 ton	14	4" – 8"	13.51"	7.99"	3.86"	1.50"
T60	3 ton	26	3" – 6"	11.27"	10.24"	4.77"	2.63"
T60W	3 ton	32	4" – 8"	13.00"	10.24"	4.77"	2.63"
T100	5 ton	68	4" – 10"	17.77"	12.25"	6.38"	3.55"

Green shading reflects rental inventory.



Beam Trolleys

1/2 – 20 Ton Corso® Push/Gear Model Specifications

Push Trolley

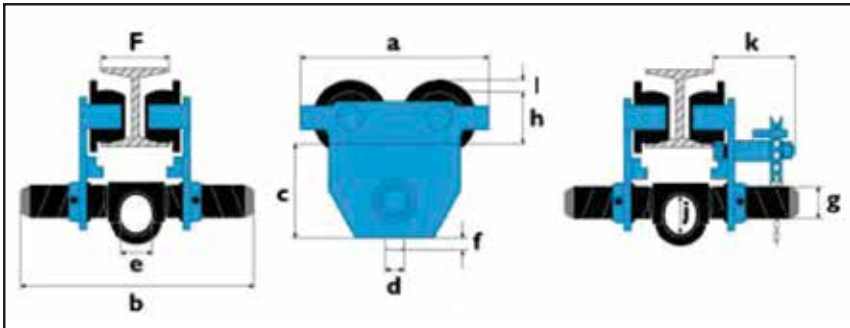


.5 t – 10 t

Geared Trolley



10 t – 20 t



Corso® Push/Gear Beam Trolley Specifications																
Capacity	Radius of Curve	Effort on Chain at Capacity	Dimensions												Weight	
			a	b	c	d	e	f	g	h	k	l	Beam Width (standard) F	Beam Width (special) F optional	push	gear
			ft. (m)	lbs.	In. (mm)	In. (mm)	In. (mm)	In. (mm)	In. (mm)	In. (mm)	In. (mm)	In. (mm)	In. (mm)	In. (mm)	In. (mm)	In. (mm)
0.5 t	3 (0.9)	n/a	8.9 (225)	12.8 (324)	3.5 (88)	0.6 (16)	1 (25)	0.6 (16)	1.1 (27)	2.1 (53)	n/a	0.4 (11)	2 – 8.7 (50 – 220)	8.7 – 11.8 (220 – 330)	18.7 (8.5)	n/a
1 t	3.3 (1)	12	9.9 (252)	13.2 (334)	4.1 (103)	0.7 (17)	1.2 (30)	0.7 (18)	1.2 (30)	2.4 (62)	3.9 (100)	0.6 (15)	2.3 – 8.7 (58 – 220)	8.7 – 11.8 (220 – 330)	23.2 (10)	42 (19)
2 t	3.9 (1.2)	22	11.8 (300)	13.5 (342)	5 (103)	0.8 (21)	1.6 (40)	0.7 (18)	1.5 (38)	3.2 (80)	4.7 (120)	0.7 (18)	3 – 8.7 (66 – 220)	8.7 – 11.8 (220 – 330)	40 (18)	50 (22.5)
3 t	4.2 (1.3)	16.5	14.2 (360)	14.1 (358)	7 (177)	0.8 (21)	1.9 (48)	0.7 (18)	1.8 (45)	3.8 (97)	5.3 (135)	0.6 (15)	2.9 – 8.7 (74 – 220)	8.7 – 11.8 (220 – 330)	71 (32)	83 (37.5)
5 t	4.6 (1.4)	26.5	15.8 (400)	14.7 (372)	7.6 (192)	1.2 (31)	2.5 (58)	0.8 (20)	2.1 (52)	4.3 (110)	5.7 (145)	0.8 (20)	3.5 – 8.7 (90 – 220)	8.7 – 11.8 (220 – 330)	107 (48.5)	121 (55)
10 t*	8.2 (2.5)	n/a	18.5 (470)	16 (405)	10.9 (276)	1 (25)	3.2 (80)	2 (50)	2.5 (63)	5.9 (150)	6.7 (170)	n/a	4.9 – 8 (125 – 203)	8.7 – 11.8 (220 – 300)	220 (100)	220 (100)
20 t	16.4 (5)	150 (68)	37.6 (955)	16 (405)	10.9 (276)	1.4 (36)	4.3 (110)	2 (50)	2.5 (63)	5.9 (150)	6.7 (170)	n/a	5.4 – 8 (136 – 203)	8.7 – 11.8 (220 – 300)	463 (210)	463 (210)

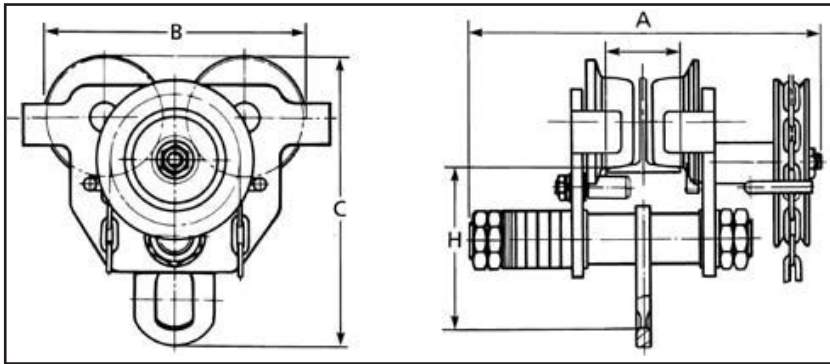
Green shading reflects rental inventory.

*In the United States, Corso® models with spacer adjustment are also available in capacities from 0.5 to 5 t.



Beam Trolleys

1/2 – 10 Ton Geared Model Specifications



Specifications								
Model	WLL (lbs.)	Adjustable Flange Width	A	B	C	H	Minimum Radius Curve (ft.)	Weight (lbs.)
OZ1GBT	2,000	2.57" – 8.00"	15.56"	10.24"	9.41"	5.31"	3.28	44
OZ2GBT	4,000	3.46" – 8.00"	15.63"	11.81"	11.26"	6.34"	3.60	62
OZ3GBT	6,000	4.01" – 8.00"	17.69"	13.58"	13.23"	7.28"	4.26	95
OZ5GBT	10,000	4.49" – 8.00"	18.25"	15.55"	15.47"	8.66"	4.59	136
OZ10GBT	20,000	4.92" – 8.00"	18.75"	17.91"	19.68"	11.02"	5.57	234

Green shading reflects rental inventory.

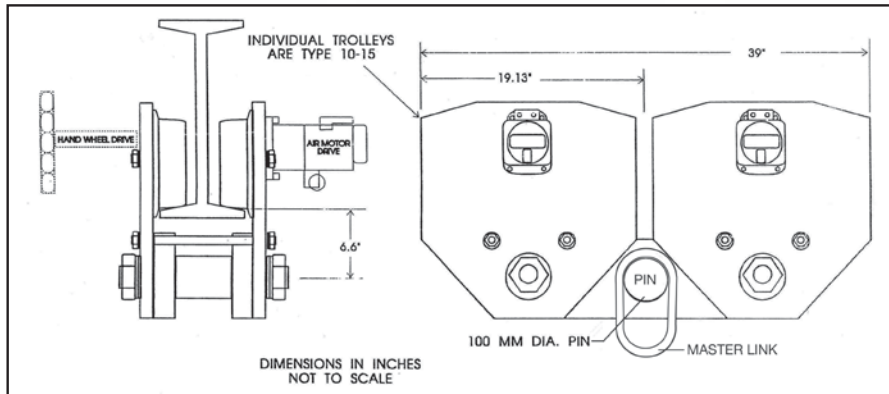


Beam Trolleys

25 and 50 Ton Model Specifications



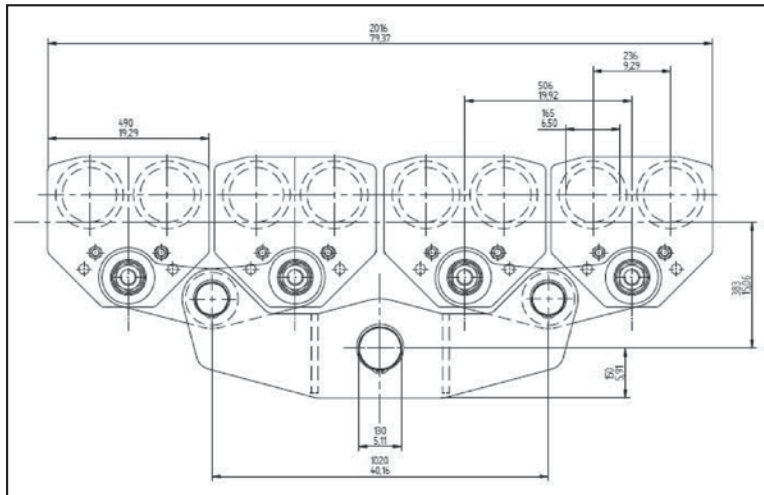
25 Ton



Note:

1. If master ring is used around load pin, this will increase the headroom dimension.
2. Trolley can be used as either: push, hand gear or air powered, depending on trolley arrangement.

50 Ton



Specifications							
Capacity (Tons)	Flange Size (Inches)		Weight (lbs.)			Air Consumption (cFm)	Traveling Speed (Fpm)
25	4.92"	7.40"	720 (Push)	755 (Air)	745 (Gear)	28.35	39
	7.48"	9.68"					
	9.76"	12.2"					
	12.87"	16.61"*					
50	4.92"	7.40"	2,500 (Push)	2,550 (Air)	2,525 (Gear)	28.35	39
	7.48"	9.68"					
	9.76"	12.2"					
	12.87"	16.61"*					

Green shading reflects rental inventory.

* Pin size 4 is only rated for 12.5 metric ton. Large diameter stabilizing rods are required for safe use.



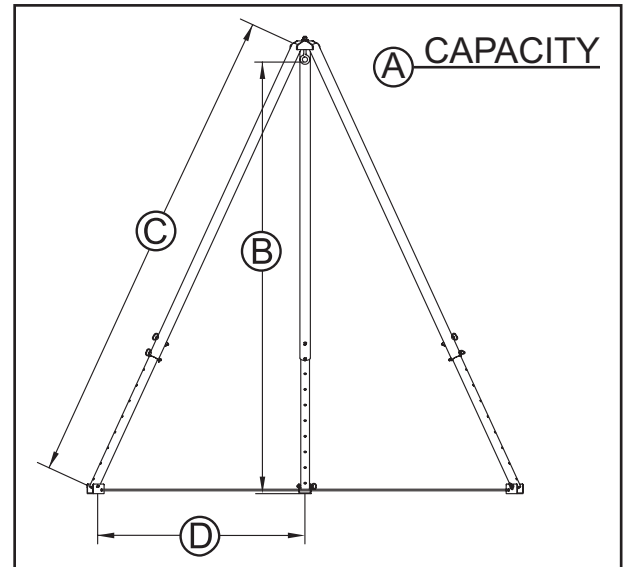
J.D. NEUHAUS
powered by air!



Aluminum Tripod

2 Ton Model Specifications

Spanco – ATA-04-11075



Tripods

Quick, easy setup for heavy lifting in outdoor areas with no overhead support. Independently, adjustable legs permit use on uneven ground and adjust on six inch center. Standard lashing kit, included with every tripod, prevents legs from over-spreading on hard or soft surfaces.

WARNING

This is not intended for lifting people. Material handling use only.

Specifications

A Capacity (Tons)	B Height: Eyebolt to Floor		C Overall Length		D Dimension Between Legs		Weight lbs.
	Max	Min	Max	Min	Max	Min	
2	11'2"	6'10"	13'0"	8'0"	11'9"	7'7"	120

Green shading reflects rental inventory.

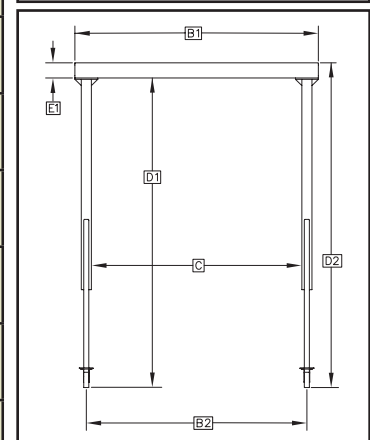
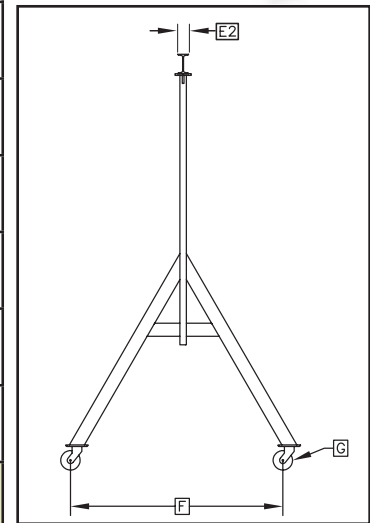


Aluminum Gantries

1/2 – 3 Ton A-Series with Standard Casters Specifications



A Series – Aluminum Adjustable Height/Span													
Capacity (Tons)	B1 Overall Span	B2 Span Between Wheel Centers	C Clear Span	D1 Height Under Beam		D2 Overall Height		E1 Beam Size	E2 Beam Flange Width	F Tread Width	G Wheel Dia.	Weight (Lbs.)	Model
				Min.	Max.	Min.	Max.						
1/2	8'	7' 3"	6' 11"	6' 6"	9' 0"	6' 11"	9' 5"	ALU5X3.43#	3"	4' 2"	6"	116	0.5ALU0809
		7' 3"	6' 11"	8' 6"	11' 0"	8' 11"	11' 5"	ALU5X3.43#	3"	4' 2"	6"	135	0.5ALU0811
	10'	9' 3"	8' 11"	6' 6"	9' 0"	7' 0"	9' 6"	ALU6X4.3#	3 3/8"	4' 2"	6"	131	0.5ALU1009
		9' 3"	8' 11"	8' 6"	11' 0"	9' 0"	11' 6"	ALU6X4.3#	3 3/8"	4' 2"	6"	150	0.5ALU1011
	12'	11' 3"	10' 11"	6' 6"	9' 0"	7' 2"	9' 8"	ALU8X6.35#	4"	4' 2"	6"	164	0.5ALU1209
		11' 3"	10' 11"	8' 6"	11' 0"	9' 2"	11' 8"	ALU8X6.35#	4"	4' 2"	6"	183	0.5ALU1211
	15'	14' 3"	13' 11"	6' 6"	9' 0"	7' 2"	9' 8"	ALU8X6.35#	4"	4' 2"	6"	192	0.5ALU1509
		14' 3"	13' 11"	8' 6"	11' 0"	9' 2"	11' 8"	ALU8X6.35#	4"	4' 2"	6"	211	0.5ALU1511
1	8'	7' 3"	6' 10"	5' 7"	8' 1"	6' 1"	8' 7"	ALU6X4.3#	3 3/8"	4' 6"	6"	150	1ALU0808
		7' 3"	6' 10"	7' 7"	10' 1"	8' 1"	10' 7"	ALU6X4.3#	3 3/8"	4' 6"	6"	157	1ALU0810
		7' 3"	6' 10"	9' 7"	12' 1"	10' 1"	12' 7"	ALU6X4.3#	3 3/8"	4' 6"	6"	197	1ALU0812
	10'	9' 3"	8' 10"	5' 7"	8' 1"	6' 3"	8' 9"	ALU8X6.35#	4"	4' 6"	6"	180	1ALU1008
		9' 3"	8' 10"	7' 7"	10' 1"	8' 3"	10' 9"	ALU8X6.35#	4"	4' 6"	6"	187	1ALU1010
		9' 3"	8' 10"	9' 7"	12' 1"	10' 3"	12' 9"	ALU8X6.35#	4"	4' 6"	6"	227	1ALU1012
	12'	11' 3"	10' 10"	5' 7"	8' 1"	6' 3"	8' 9"	ALU8X6.35#	4"	4' 6"	6"	192	1ALU1208
		11' 3"	10' 10"	7' 7"	10' 1"	8' 3"	10' 9"	ALU8X6.35#	4"	4' 6"	6"	199	1ALU1210
		11' 3"	10' 10"	9' 7"	12' 1"	10' 3"	12' 9"	ALU8X6.35#	4"	4' 6"	6"	239	1ALU1212
	15'	14' 3"	13' 10"	5' 7"	8' 1"	6' 5"	8' 11"	ALU10X8.76#	4 5/8"	4' 6"	6"	248	1ALU1508
		14' 3"	13' 10"	7' 7"	10' 1"	8' 5"	10' 11"	ALU10X8.76#	4 5/8"	4' 6"	6"	255	1ALU1510
		14' 3"	13' 10"	9' 7"	12' 1"	10' 5"	12' 11"	ALU10X8.76#	4 5/8"	4' 6"	6"	295	1ALU1512
18'	17' 3"	16' 9"	5' 10"	8' 4"	6' 11"	9' 5"	ALU12X10.99#*	5"	4' 4"	8"	389	1ALU1808	
	17' 3"	16' 9"	7' 10"	10' 4"	8' 11"	11' 5"	ALU12X10.99#*	5"	4' 4"	8"	401	1ALU1810	
	17' 3"	16' 9"	9' 10"	12' 4"	10' 11"	13' 5"	ALU12X10.99#*	5"	4' 4"	8"	441	1ALU1812	
20'	19' 3"	18' 9"	5' 10"	8' 4"	6' 11"	9' 5"	ALU12X10.99#*	5"	4' 4"	8"	423	1ALU2008	
	19' 3"	18' 9"	7' 10"	10' 4"	8' 11"	11' 5"	ALU12X10.99#*	5"	4' 4"	8"	435	1ALU2010	
	19' 3"	18' 9"	9' 10"	12' 4"	10' 11"	13' 5"	ALU12X10.99#*	5"	4' 4"	8"	475	1ALU2012	
2	8'	7' 3"	6' 9"	5' 10"	8' 4"	6' 6"	9' 0"	ALU8X6.35#	4"	4' 4"	8"	237	2ALU0808
		7' 3"	6' 9"	7' 10"	10' 4"	8' 6"	11' 0"	ALU8X6.35#	4"	4' 4"	8"	246	2ALU0810
		7' 3"	6' 9"	9' 10"	12' 4"	10' 6"	13' 0"	ALU8X6.35#	4"	4' 4"	8"	276	2ALU0812
	10'	9' 3"	8' 9"	5' 10"	8' 4"	6' 8"	9' 2"	ALU10X8.76#	4 5/8"	4' 4"	8"	274	2ALU1008
		9' 3"	8' 9"	7' 10"	10' 4"	8' 8"	11' 2"	ALU10X8.76#	4 5/8"	4' 4"	8"	286	2ALU1010
		9' 3"	8' 9"	9' 10"	12' 4"	10' 8"	13' 2"	ALU10X8.76#	4 5/8"	4' 4"	8"	313	2ALU1012
	12'	11' 3"	10' 9"	5' 10"	8' 4"	6' 10"	9' 4"	ALU12X10.99#	5"	4' 4"	8"	322	2ALU1208
		11' 3"	10' 9"	7' 10"	10' 4"	8' 10"	11' 4"	ALU12X10.99#	5"	4' 4"	8"	334	2ALU1210
		11' 3"	10' 9"	9' 10"	12' 4"	10' 10"	13' 4"	ALU12X10.99#	5"	4' 4"	8"	361	2ALU1212
15'	14' 3"	13' 9"	5' 10"	8' 4"	6' 10"	9' 4"	ALU12X10.99#	5"	4' 4"	8"	355	2ALU1508	
	14' 3"	13' 9"	7' 10"	10' 4"	8' 10"	11' 4"	ALU12X10.99#	5"	4' 4"	8"	367	2ALU1510	
	14' 3"	13' 9"	9' 10"	12' 4"	10' 10"	13' 4"	ALU12X10.99#	5"	4' 4"	8"	394	2ALU1512	
3	8'	7' 2"	6' 8"	6' 2"	8' 2"	7' 2"	9' 2"	ALU12X10.99#	5"	4' 8"	8"	350	3ALU0808
		7' 2"	6' 8"	7' 8"	10' 2"	8' 8"	11' 2"	ALU12X10.99#	5"	4' 8"	8"	369	3ALU0810
		7' 2"	6' 8"	9' 8"	12' 2"	10' 8"	13' 2"	ALU12X10.99#	5"	4' 8"	8"	416	3ALU0812
	10'	9' 2"	8' 8"	6' 2"	8' 2"	7' 2"	9' 2"	ALU12X10.99#	5"	4' 8"	8"	372	3ALU1008
		9' 2"	8' 8"	7' 8"	10' 2"	8' 8"	11' 2"	ALU12X10.99#	5"	4' 8"	8"	391	3ALU1010
		9' 2"	8' 8"	9' 8"	12' 2"	10' 8"	13' 2"	ALU12X10.99#	5"	4' 8"	8"	438	3ALU1012
	12'	11' 2"	10' 8"	6' 2"	8' 2"	7' 3"	9' 3"	ALU12X10.99#*	5"	4' 8"	8"	426	3ALU1208
		11' 2"	10' 8"	7' 8"	10' 2"	8' 9"	11' 3"	ALU12X10.99#*	5"	4' 8"	8"	445	3ALU1210
		11' 2"	10' 8"	9' 8"	12' 2"	10' 9"	13' 3"	ALU12X10.99#*	5"	4' 8"	8"	491	3ALU1212
	15'	14' 2"	13' 8"	6' 2"	8' 2"	7' 3"	9' 3"	ALU12X10.99#*	5"	4' 8"	8"	467	3ALU1508
		14' 2"	13' 8"	7' 8"	10' 2"	8' 9"	11' 3"	ALU12X10.99#*	5"	4' 8"	8"	479	3ALU1510
		14' 2"	13' 8"	9' 8"	12' 2"	10' 9"	13' 3"	ALU12X10.99#*	5"	4' 8"	8"	532	3ALU1512



I-Beam	Flange Width
ALU5" x 3.43#	3"
ALU6" x 4.3#	3 3/8"
ALU8" x 6.35#	4"
ALU10" x 8.76#	4 5/8"
ALU12" x 10.99#	5"

Green shading reflects rental inventory.

* Capped I-Beam

† 2' height extension kit included.

2' extension to top of gantry is removable and can be ordered separately to increase height of 9 ft. model. For 1/2 ton models only.

2' extension to top of gantry is removable and can be ordered separately to increase height of 8 ft. or 10 ft. models. For 1 ton, 2 ton or 3 ton models.

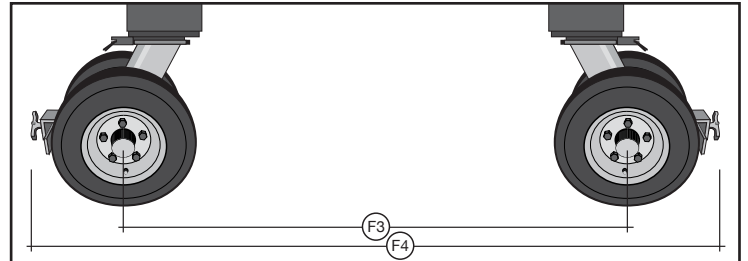
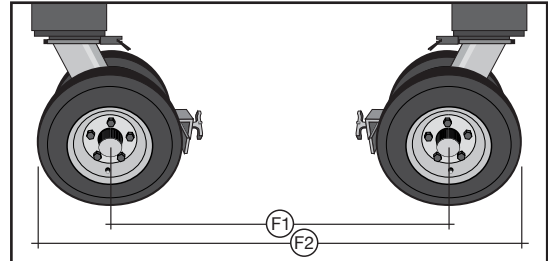
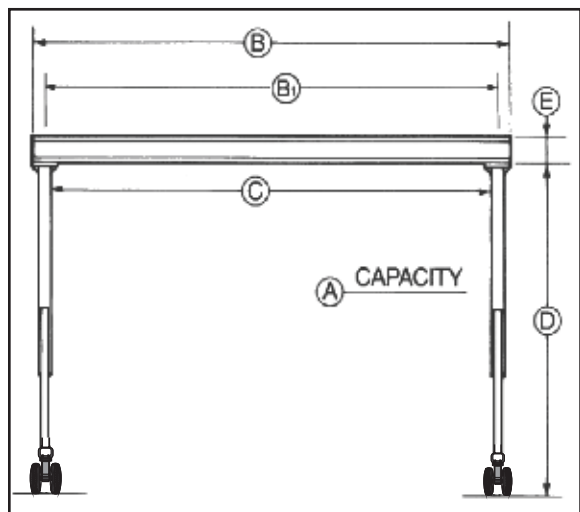
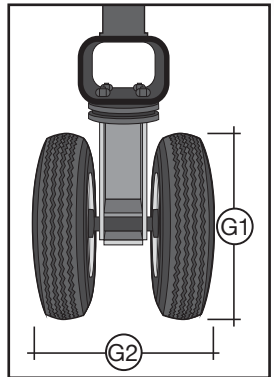


Aluminum Gantries

2 – 3 Ton A-Series with Pneumatic Casters Specifications

A Series – Aluminum Adjustable Height/Span										
A Capacity	B Overall Span	B1 Span Between Wheel Centers	C Clear Span	D Height Under Beam		E Beam Size	G1 Wheel Dia.	G2 Caster Width	Weight (Lbs.)	Model
				Min.	Max.					
2 Ton	8'	7' 3"	6' 10"	6' 8" 8' 8"	9' 2" 11' 2"	ALU8X6.35#	16"	15.75"	477 486	2ALU0808-PNE 2ALU0810-PNE
	10'	9' 3"	8' 10"	6' 8" 8' 8"	9' 2" 11' 2"	ALU10X8.76#	16"	15.75"	514 526	2ALU1008-PNE 2ALU1010-PNE
	12'	11' 3"	10' 10"	6' 8" 8' 8"	9' 2" 11' 2"	ALU12X10.99#	16"	15.75"	562 574	2ALU1208-PNE 2ALU1210-PNE
	15'	14' 3"	13' 10"	6' 8" 8' 8"	9' 2" 11' 2"	ALU12X10.99#	16"	15.75"	595 607	2ALU1508-PNE 2ALU1510-PNE
3 Ton	8'	7' 2"	6' 8 1/2"	6' 11" 8' 5"	8' 11" 10' 11"	ALU12X10.99#	16"	15.75"	610 629	3ALU0808-PNE 3ALU0810-PNE
	10'	9' 2"	8' 8 1/2"	6' 11" 8' 5"	8' 11" 10' 11"	ALU12X10.99#	16"	15.75"	632 651	3ALU1008-PNE 3ALU1010-PNE
	12'	11' 2"	10' 8 1/2"	6' 11" 8' 5"	8' 11" 10' 11"	ALU12X10.99#*	16"	15.75"	686 705	3ALU1208-PNE 3ALU1210-PNE
	15'	14' 2"	13' 8 1/2"	6' 11" 8' 5"	8' 11" 10' 11"	ALU12X10.99#*	16"	15.75"	687 739	3ALU1508-PNE 3ALU1510-PNE

Green shading reflects rental inventory.
* Capped I-Beam



Pneumatic Caster Measurements				
	F1	F2	F3	F4*
2 Ton	42"	58"	60"	83.5"
3 Ton	46"	62"	64"	87.5"

*Wheel locks extend further than tires. Measurement is from edge of lock to edge of lock.

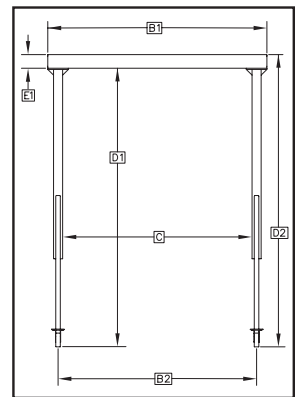
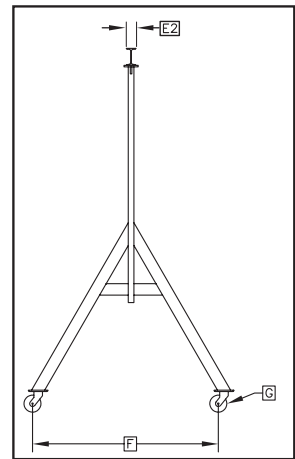


Steel Gantries

1 – 3 Ton A-Series Specifications



A Series – Steel Adjustable Height/Span													
A Capacity	B1 Overall Span	B2 Span Between Wheel Centers	C Clear Span	D1 Height Under Beam		D2 Overall Height		E1 Beam Size	E2 Beam Flange Width	F Tread Width	G Wheel Dia.	Weight (Lbs.)	Model
				Min.	Max.	Min.	Max.						
1	8'	7' 3"	6' 11"	7' 2"	10' 2"	7' 8"	10' 8"	S6X12.5#	3 3/8"	5' 5"	6"	404	1A0810
		7' 3"	6' 11"	9' 8"	12' 8"	10' 2"	13' 2"	S6X12.5#	3 3/8"	5' 5"	6"	428	1A0812
		7' 3"	6' 10"	12' 0"	15' 6"	10' 2"	16' 0"	S6X12.5#	3 3/8"	6' 6"	8"	694	1A0815
	10'	9' 3"	8' 11"	7' 2"	10' 2"	7' 8"	10' 8"	S6X12.5#	3 3/8"	5' 5"	6"	429	1A1010
		9' 3"	8' 11"	9' 8"	12' 8"	10' 2"	13' 2"	S6X12.5#	3 3/8"	5' 5"	6"	453	1A1012
		9' 3"	8' 10"	12' 0"	15' 6"	10' 2"	16' 0"	S6X12.5#	3 3/8"	6' 6"	8"	719	1A1015
	12'	11' 3"	10' 11"	7' 2"	10' 2"	7' 8"	10' 8"	S6X12.5#	3 3/8"	5' 5"	6"	454	1A1210
		11' 3"	10' 11"	9' 8"	12' 8"	10' 2"	13' 2"	S6X12.5#	3 3/8"	5' 5"	6"	478	1A1212
		11' 3"	10' 10"	12' 0"	15' 6"	10' 2"	16' 0"	S6X12.5#	3 3/8"	6' 6"	8"	744	1A1215
	15'	14' 3"	13' 11"	7' 2"	10' 2"	7' 10"	10' 10"	S8X18.4#	4"	5' 5"	6"	533	1A1510
		14' 3"	13' 11"	9' 8"	12' 8"	10' 4"	13' 4"	S8X18.4#	4"	5' 5"	6"	557	1A1512
		14' 3"	13' 10"	12' 0"	15' 6"	10' 4"	16' 2"	S8X18.4#	4"	6' 6"	8"	823	1A1515
	20'	19' 3"	18' 11"	7' 2"	10' 2"	8' 1"	11' 1"	W10X30#	5 3/4"	5' 5"	6"	904	1A2010-W
		19' 3"	18' 11"	9' 8"	12' 8"	10' 7"	13' 7"	W10X30#	5 3/4"	5' 5"	6"	928	1A2012-W
19' 3"		18' 10"	12' 0"	15' 6"	12' 11"	16' 5"	W10X30#	5 3/4"	6' 6"	8"	1194	1A2015-W	
25'	24' 3"	23' 11"	7' 2"	10' 2"	8' 1"	11' 1"	W10X30#	5 3/4"	5' 5"	6"	1054	1A2510-W	
	24' 3"	23' 11"	9' 8"	12' 8"	10' 7"	13' 7"	W10X30#	5 3/4"	5' 5"	6"	1204	1A2512-W	
	24' 3"	23' 10"	12' 0"	15' 6"	12' 11"	16' 5"	W10X30#	5 3/4"	6' 6"	8"	1344	1A2515-W	
30"	29' 3"	28' 10"	9' 0"	12' 6"	9' 11"	13' 5"	W10X30#	5 3/4"	6' 6"	8"	1435	1A3012-W	
	29' 3"	28' 10"	12' 0"	15' 6"	12' 11"	16' 5"	W10X30#	5 3/4"	6' 6"	8"	1495	1A3015-W	
	34' 1"	33' 7"	9' 0"	12' 6"	10' 5"	13' 11"	W16X50#	7 1/8"	6' 6"	8"	2285	1A3512-W	
35"	34' 1"	33' 7"	12' 0"	15' 6"	13' 5"	16' 11"	W16X50#	7 1/8"	6' 6"	8"	2344	1A3515-W	
	39' 1"	38' 7"	9' 0"	12' 6"	10' 5"	13' 11"	W16X50#	7 1/8"	6' 6"	8"	2535	1A4012-W	
	39' 1"	38' 7"	12' 0"	15' 6"	13' 5"	16' 11"	W16X50#	7 1/8"	6' 6"	8"	2594	1A4015-W	
2	10'	9' 3"	8' 10"	9' 5"	12' 6.5"	9' 8.5"	13' 2.5"	S8X18.4#	4"	6' 6"	8"	719	2A1012
		9' 3"	8' 10"	12' 5"	15' 6.5"	12' 8.5"	16' 2.5"	S8X18.4#	4"	6' 6"	8"	778	2A1015
	15'	14' 3"	13' 10"	9' 5"	12' 6.5"	9' 10.5"	13' 4.5"	S10X25.4#	4 3/8"	6' 6"	8"	916	2A1512
		14' 3"	13' 10"	12' 5"	15' 6.5"	12' 10.5"	16' 4.5"	S10X25.4#	4 3/8"	6' 6"	8"	975	2A1515
	20'	19' 3"	18' 10"	9' 5"	12' 6.5"	10' 1.5"	13' 7.5"	W12X35#	6 1/2"	6' 6"	8"	1235	2A2012-W
		19' 3"	18' 10"	12' 5"	15' 6.5"	13' 1.5"	16' 7.5"	W12X35#	6 1/2"	6' 6"	8"	1294	2A2015-W
	25'	24' 3"	23' 10"	9' 5"	12' 6.5"	10' 1.5"	13' 7.5"	W12X35#	6 1/2"	6' 6"	8"	1410	2A2512-W
		24' 3"	23' 10"	12' 5"	15' 6.5"	13' 1.5"	16' 7.5"	W12X35#	6 1/2"	6' 6"	8"	1469	2A2515-W
30"	29' 1"	28' 8"	9' 5"	12' 6.5"	10' 5.5"	13' 11.5"	W16X50#	7 1/8"	6' 6"	8"	2035	2A3012-W	
	29' 1"	28' 8"	12' 5"	15' 6.5"	13' 5.5"	16' 11.5"	W16X50#	7 1/8"	6' 6"	8"	2095	2A3015-W	
35"	34' 1"	33' 7"	9' 5"	12' 6.5"	10' 7.5"	14' 1.5"	W18X55#	7 1/2"	6' 6"	8"	2460	2A3512-W	
	34' 1"	33' 7"	12' 5"	15' 6.5"	13' 7.5"	17' 1.5"	W18X55#	7 1/2"	6' 6"	8"	2519	2A3515-W	
40"	39' 1"	38' 7"	9' 5"	12' 6.5"	10' 5.5"	13' 11.5"	W16X50#*	7 1/8"	6' 6"	8"	3470	2A4012-W	
	39' 1"	38' 7"	12' 5"	15' 6.5"	13' 5.5"	16' 11.5"	W16X50#*	7 1/8"	6' 6"	8"	3529	2A4015-W	
3	10'	9' 1"	8' 6"	9' 4.5"	12' 10.5"	10' 2.5"	13' 8.5"	S10X25.4#	4 3/8"	6' 6"	8"	793	3A1012
		9' 1"	8' 6"	12' 4.5"	15' 10.5"	13' 2.5"	16' 8.5"	S10X25.4#	4 3/8"	6' 6"	8"	857	3A1015
	15'	14' 1"	13' 6"	9' 4.5"	12' 10.5"	10' 2.5"	13' 8.5"	S10X25.4#	4 3/8"	6' 6"	8"	990	3A1512
		14' 1"	13' 6"	12' 4.5"	15' 10.5"	13' 2.5"	16' 8.5"	S10X25.4#	4 3/8"	6' 6"	8"	1054	3A1515
	20'	19' 1"	18' 6"	9' 4.5"	12' 10.5"	10' 9.5"	14' 3.5"	W16X50#	7 1/8"	6' 6"	8"	1611	3A2012-W
		19' 1"	18' 6"	12' 4.5"	15' 10.5"	13' 9.5"	17' 3.5"	W16X50#	7 1/8"	6' 6"	8"	1673	3A2015-W
	25'	24' 1"	23' 6"	9' 4.5"	12' 10.5"	10' 11.5"	14' 5.5"	W18X55#	7 1/2"	6' 6"	8"	1861	3A2512-W
		24' 1"	23' 6"	12' 4.5"	15' 10.5"	13' 11.5"	17' 5.5"	W18X55#	7 1/2"	6' 6"	8"	1949	3A2515-W
	30"	29' 1"	28' 6"	9' 4.5"	12' 10.5"	10' 11.5"	14' 5.5"	W18X55#	7 1/2"	6' 6"	8"	2261	3A3012-W
		29' 1"	28' 6"	12' 4.5"	15' 10.5"	13' 11.5"	17' 5.5"	W18X55#	7 1/2"	6' 6"	8"	2349	3A3015-W
35"	34' 1"	33' 6"	9' 4.5"	12' 10.5"	11' 2.5"	14' 8.5"	W21X68#	8 1/4"	6' 6"	8"	2991	3A3512-W	
	34' 1"	33' 6"	12' 4.5"	15' 10.5"	14' 2.5"	17' 8.5"	W21X68#	8 1/4"	6' 6"	8"	3079	3A3515-W	
40"	39' 1"	38' 6"	9' 4.5"	12' 10.5"	11' 5.5"	14' 11.5"	W24X84#	9"	6' 6"	8"	3971	3A4012-W	
	39' 1"	38' 6"	12' 4.5"	15' 10.5"	14' 5.5"	17' 11.5"	W24X84#	9"	6' 6"	8"	4059	3A4015-W	



Green shading reflects rental inventory.
* Capped I-Beam



Steel Gantries

5 – 10 Ton A-Series Specifications

A Series – Steel Adjustable Height/Span													
A Capacity	B1 Overall Span	B2 Span Between Wheel Centers	C Clear Span	D1 Height Under Beam		D2 Overall Height		E1 Beam Size	E2 Beam Flange Width	F Tread Width	G Wheel Dia.	Weight (lbs.)	Model
				Min.	Max.	Min.	Max.						
5	10'	9' 1" 9' 1"	8' 6" 8' 6"	9' 4.5" 12' 4.5"	12' 10.5" 15' 10.5"	10' 2.5" 13' 2.5"	13' 8.5" 16' 8.5"	S10X25.4# S10X25.4#	4 3/8" 4 3/8"	6' 6" 6' 6"	8" 8"	1040 1124	5A1012 5A1015
	15'	14' 1" 14' 1"	13' 6" 13' 6"	9' 4.5" 12' 4.5"	12' 10.5" 15' 10.5"	10' 7.5" 13' 7.5"	14' 1.5" 17' 1.5"	S15X42.9# S15X42.9#	5 1/2" 5 1/2"	6' 6" 6' 6"	8" 8"	1430 1514	5A1512 5A1515
	20'	19' 1" 19' 1"	18' 6" 18' 6"	9' 4.5" 12' 4.5"	12' 10.5" 15' 10.5"	11' 5.5" 14' 5.5"	14' 11.5" 17' 11.5"	W24X84# W24X84#	9" 9"	6' 6" 6' 6"	8" 8"	2466 2550	5A2012-W 5A2015-W
	25'	24' 1" 24' 1"	23' 6" 23' 6"	9' 4.5" 12' 4.5"	12' 10.5" 15' 10.5"	11' 5.5" 14' 5.5"	14' 11.5" 17' 11.5"	W24X84# W24X84#	9" 9"	6' 6" 6' 6"	8" 8"	2886 2970	5A2512-W 5A2515-W
	30'	29' 1" 29' 1"	28' 6" 28' 6"	9' 4.5" 12' 4.5"	12' 10.5" 15' 10.5"	11' 5.5" 14' 5.5"	14' 11.5" 17' 11.5"	W24X84# W24X84#	9" 9"	6' 6" 6' 6"	8" 8"	3306 3390	5A3012-W 5A3015-W
	35'	34' 1" 34' 1"	33' 6" 33' 6"	9' 4.5" 12' 4.5"	12' 10.5" 15' 10.5"	11' 5.5" 14' 5.5"	14' 11.5" 17' 11.5"	W24X103# W24X103#	9" 9"	6' 6" 6' 6"	8" 8"	4085 4787	5A3512-W 5A3515-W
	40'	39' 1" 39' 1"	38' 6" 38' 6"	9' 4.5" 12' 4.5"	12' 10.5" 15' 10.5"	11' 5.5" 14' 5.5"	14' 11.5" 17' 11.5"	W24X103# W24X103#	9" 9"	6' 6" 6' 6"	8" 8"	5200 5302	5A4012-W 5A4015-W
7 1/2	10'	9' 1" 9' 1"	8' 6" 8' 6"	9' 5" 12' 5"	13' 5" 16' 5"	10' 5" 13' 5"	14' 5" 17' 5"	S12X31.8# S12X31.8#	5" 5"	6' 6" 6' 6"	12" 12"	1398 1500	7A1013 7A1016
	15'	14' 1" 14' 1"	13' 6" 13' 6"	9' 5" 12' 5"	13' 5" 16' 5"	10' 6.5" 13' 6.5"	14' 6.5" 17' 6.5"	S18X54.7# S18X54.7#	6" 6"	6' 6" 6' 6"	12" 12"	1900 2002	7A1513 7A1516
	20'	19' 1" 19' 1"	18' 6" 18' 6"	9' 5" 12' 5"	13' 5" 16' 5"	10' 7.5" 13' 7.5"	14' 7.5" 17' 7.5"	S18X54.7#* S18X54.7#*	6" 6"	6' 6" 6' 6"	12" 12"	2373 2475	7A2013 7A2016
	25'	24' 1" 24' 1"	23' 6" 23' 6"	9' 5" 12' 5"	13' 5" 16' 5"	10' 7.5" 13' 7.5"	14' 7.5" 17' 7.5"	S18X54.7#* S18X54.7#*	6" 6"	6' 6" 6' 6"	12" 12"	2480 2582	7A2513 7A2516
	30'	29' 1" 29' 1"	28' 6" 28' 6"	9' 5" 12' 5"	13' 5" 16' 5"	11' 1.5" 14' 1.5"	15' 1.5" 18' 1.5"	S24X80#* S24X80#*	7" 7"	6' 6" 6' 6"	12" 12"	3519 3621	7A3013 7A3016
	35'	34' 1" 34' 1"	33' 6" 33' 6"	9' 5" 12' 5"	13' 5" 16' 5"	11' 1.5" 14' 1.5"	15' 1.5" 18' 1.5"	S24X80#* S24X80#*	7" 7"	6' 6" 6' 6"	12" 12"	4415 4517	7A3513 7A3516
	40'	39' 1" 39' 1"	38' 6" 38' 6"	9' 5" 12' 5"	13' 5" 16' 5"	11' 1.5" 14' 1.5"	15' 1.5" 18' 1.5"	S24X80#* S24X80#*	7" 7"	6' 6" 6' 6"	12" 12"	4892 4994	7A4013 7A4016
10	10'	9' 1" 9' 1"	8' 6" 8' 6"	8' 11.5" 11' 11.5"	12' 11.5" 15' 11.5"	10' 5.5" 13' 5.5"	14' 5.5" 17' 5.5"	S18X54.7# S18X54.7#	6" 6"	6' 6" 6' 6"	12" 12"	1921 2057	10A1013 10A1016
	15'	14' 1" 14' 1"	13' 6" 13' 6"	8' 11.5" 11' 11.5"	12' 11.5" 15' 11.5"	10' 5.5" 13' 5.5"	14' 5.5" 17' 5.5"	S18X54.7# S18X54.7#	6" 6"	6' 6" 6' 6"	12" 12"	2194 2330	10A1513 10A1516
	20'	19' 1" 19' 1"	18' 6" 18' 6"	8' 11.5" 11' 11.5"	12' 11.5" 15' 11.5"	10' 11.5" 13' 11.5"	14' 11.5" 17' 11.5"	S24X80# S24X80#	7" 7"	6' 6" 6' 6"	12" 12"	2964 3110	10A2013 10A2016
	25'	24' 1" 24' 1"	23' 6" 23' 6"	8' 11.5" 11' 11.5"	12' 11.5" 15' 11.5"	11' 5" 14' 5"	15' 5" 18' 5"	S24X80#* S24X80#*	7" 7"	6' 6" 6' 6"	12" 12"	3634 3770	10A2513 10A2516
	30'	29' 1" 29' 1"	28' 6" 28' 6"	8' 11.5" 11' 11.5"	12' 11.5" 15' 11.5"	11' 5" 14' 5"	15' 5" 18' 5"	S24X80#* S24X80#*	7" 7"	6' 6" 6' 6"	12" 12"	4395 4531	10A3013 10A3016
	35'	34' 1" 34' 1"	33' 6" 33' 6"	8' 11.5" 11' 11.5"	12' 11.5" 15' 11.5"	11' 5" 14' 5"	15' 5" 18' 5"	S24X80#* S24X80#*	7" 7"	6' 6" 6' 6"	12" 12"	4899 5035	10A3513 10A3516
	40'	39' 1" 39' 1"	38' 6" 38' 6"	8' 11.5" 11' 11.5"	12' 11.5" 15' 11.5"	11' 5" 14' 5"	15' 5" 18' 5"	S24X80#* S24X80#*	7" 7"	6' 6" 6' 6"	12" 12"	5402 5538	10A4013 10A4016

Green shading reflects rental inventory.

* Capped I-Beam



I-Beam	Flange Width
S6"-12.5#	3 3/8"
S8"-18.4#	4"
S10"-25.4#	4 5/8"
S12"-31.8#	5"
S15"-42.9#	5 1/2"
S18"-54.7#	6"
S24"-80#	7"



Hydraulic Gantries

20 – 40 Ton Point MiniJack Lift System Specifications



MiniJack™ Specifications

Standard Equipment:

Lifting Units (Each): Maximum Extended Height: 16' 1/8" (4,877 mm). Retracted Height: 6' 1/8" (1,829 mm). 10 (9) ton capacity. Light weight platform with cylinder support struts. Steel wheels with anti-friction bearings. Self-contained integral hydraulic system with preparation for the addition of a remote control system, required to operate the lifting units. Header plate on lift cylinder for attaching lift beam. Maneuvering dolly to ease placement of each pair of lifting units. Standard paint color is Lift Systems' yellow.

*A.S.W.: 1,800 lbs. (817kg)

Integral Hydraulic Power System: 14 gal. (53L) reservoir. Necessary filters. Gear pump at 1 g.p.m. (3.8 l.p.m.). Standard power is electric 115 volt (15.2 full load amps), domestic 1.5 HP (1.11 kw) @ 60 Hz power and international 1 HP (0.74 kw) @ 50 Hz.

Optional Equipment:

Hydraulic Power Drive: High traction rubber drive wheels with hydraulic motor drive. Attaches to end of lift unit for smooth continuous travel.

*A.S.W. per pair: 120 lbs. (54 kg)

Lifting Links (Each): 10 (9) ton capacity. One link per lifting unit. Consult factory for custom links to suit customer needs and applications.

*A.S.W.: 38 lbs. (17.24 kg)

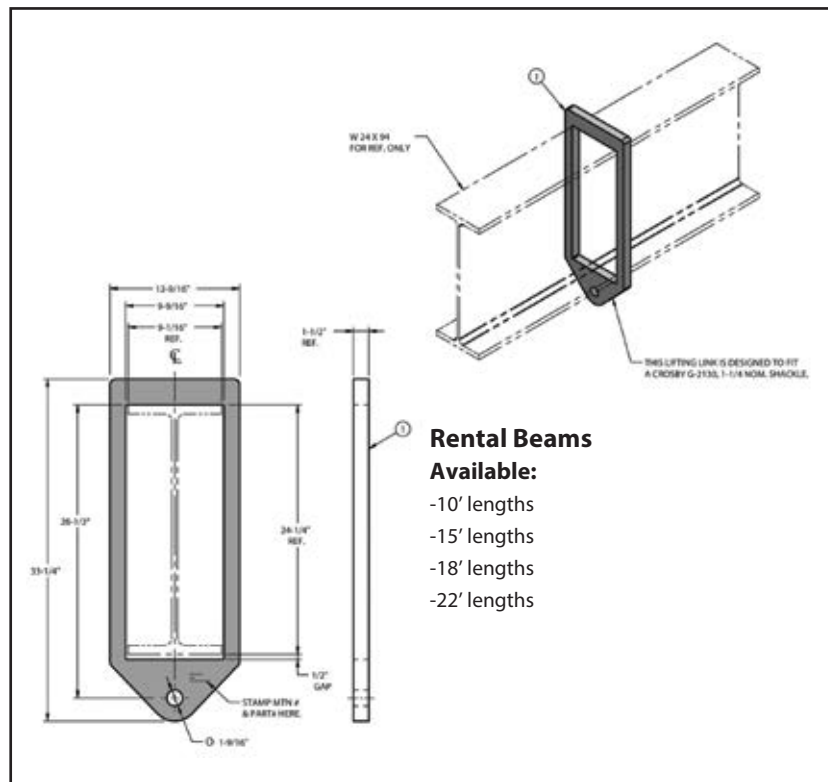
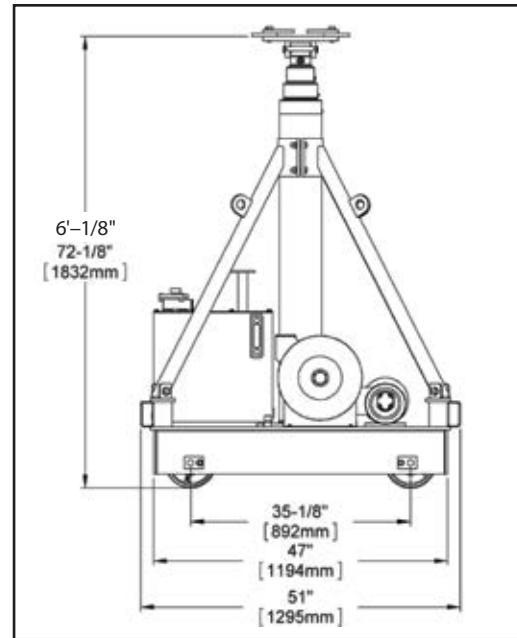
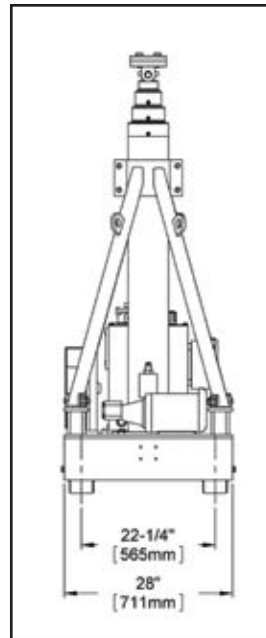
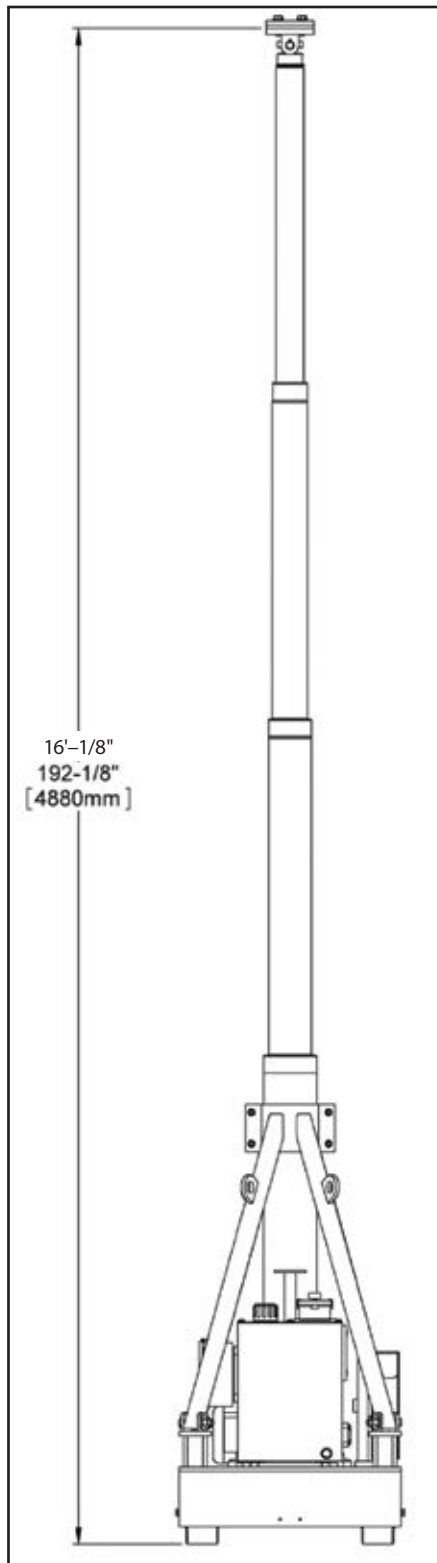
Runway Track

Specifications							
Model	Capacity (Tons)	Max Height	Max. Operating PSI	Length	Width	Height Retracted	Weight
2020SC 2 Point	20 (18)	16' 1/8" (4880 mm)	1800 (124 bar)	51" (1,295 mm)	28" (711 mm)	6' 1/8" (1,832 mm)	1850 (817 kg)
4040SC 4 Point	40 (36)	16' 1/8" (4880 mm)	1800 (124 bar)	51" (1,295 mm)	28" (711 mm)	6' 1/8" (1,832 mm)	1850 (817 kg)



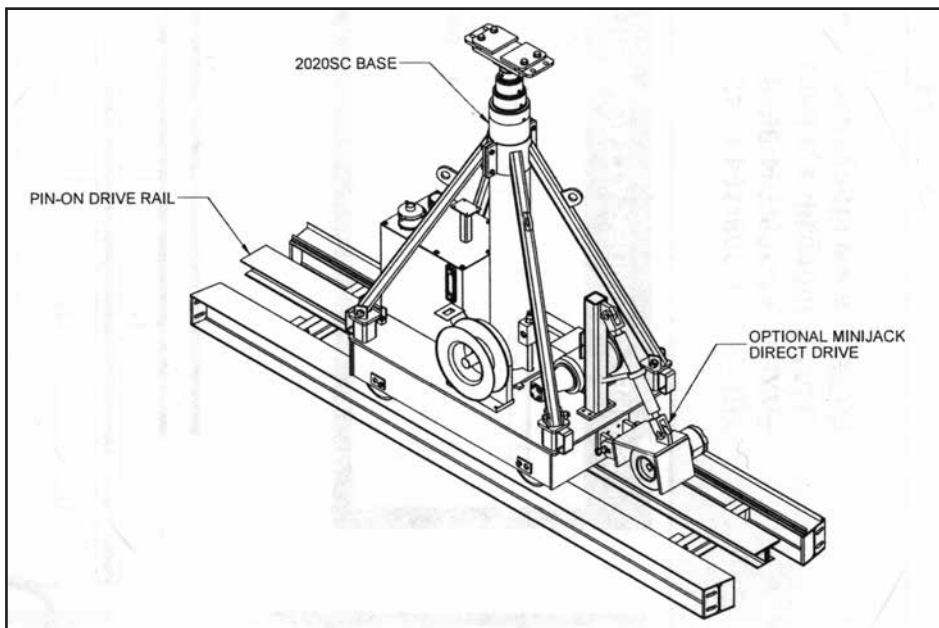
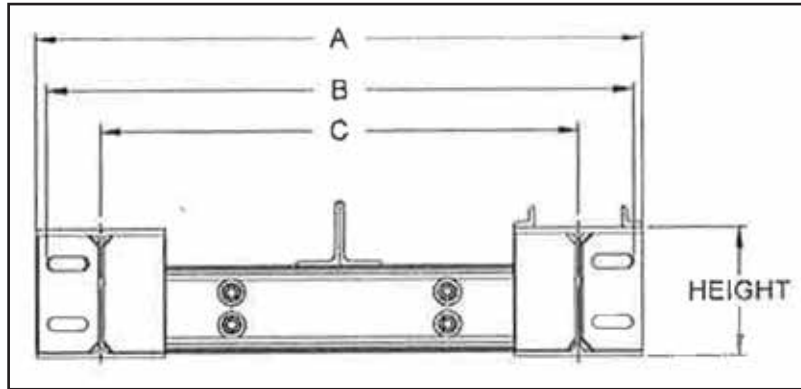
Hydraulic Gantries

20 – 40 Ton Point MiniJack Lift System Specifications



Adjustable Width Runway Track

6" Runway Track for 20 Ton Hydraulic Gantry 2020 SC Specifications



Specifications					
Height	Weight (lbs.)	Standard Length	Dimensions		
			A	B	C
6 3/8"	65 lbs./ft.	10'	28 1/4"	28"	24"

- Can provide additional heights
- Incorporate to helping maintain plumb and level lifting
- Can spread ground forces over a larger area
- Provide for long runways



Need Additional Hoisting Equipment?

Please contact LGH today! 800-878-7305 or rentals@RentLGH.com



Beam Clamps



Hand Chain Hoist



Come-A-Long



Girder Clamps



Hydraulic Gantries



Air Chain Hoist



Electric Chain Hoist



Aluminum & Steel Gantries



Barrier Grabs

Lifting Gear Hire | Hoisting