

SRI  
SR2  
SR5  
SR10  
SR25  
www.stagemaker.com

STAGEMAKER  
SR5

STAGEMAKER®

## Innovations

- Exclusive non-contact magnetic hoist positioning system as standard on most models.
- New Perfect Push® concept, 5 pocket load wheel, fitted with 5 intermediate teeth. This innovative load wheel helps distribute the load over more of the chain, dramatically reducing chain wear, and also helps to provide a smooth and quiet flow of the chain through the hoist.
- ChainFlux MKII® rear ejection chain guide system provides a horizontal flow of the chain from the load wheel. This design, along with the high strength aluminum construction, allows for a more fluid flow of the chain into the chain bag and helps reduce the risk of chain jamming.
- Motor design provides consistent speeds when fully loaded or when unloaded.
- Electrical components designed for “plug and play” connectivity.
- Hoist body is powder coated with black, protective 70µm paint, allowing it to perform under the most extreme conditions.

## Improved Ergonomics

- Rubber buffers located on hoist corners provide added protection for the hoist
- Ergonomic concept of retractable, rubber clad handgrips, allow for easy transportation of the hoist
- Lifting hook has an ergonomic, rubber clad, gripping surface



## Types of Control

Config A — Direct voltage control

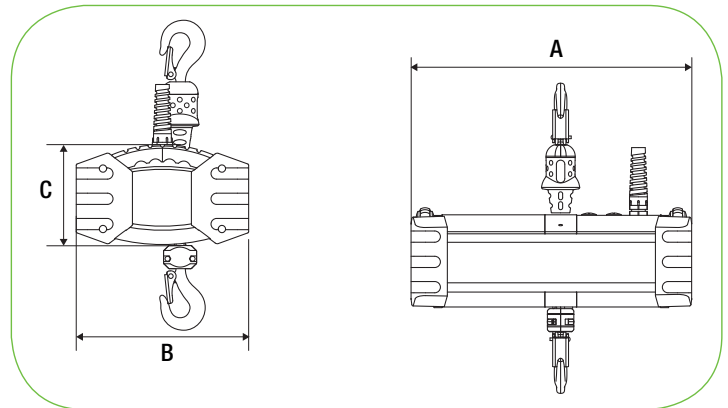
Config B — Three phase with low voltage control

Config S — Single phase power and low voltage control



## Technical Characteristics

- IP 55 rated
- Complies with standards: CE and CSA
- Double brake and BGV-D8+ hoists available
- Maintenance free DC disk brake
- Hoist may be used in body up or body down position with no modification required
- Non contact magnetic positioning system standard on all Config B hoists
- Stromag geared limit switch available as option on all Config B hoists
- All Config B hoists equipped for encoder addition
- Black chain as standard with galvanized chain available
- ChainFlux MKII® specially designed chain guide
- New Perfect Push® 5 pocket load wheel with 5 intermediate guide teeth
- Plug and play electronics uses the same card for all SR hoists excluding SR01 & SR25. One spare covers the entire range of hoists.
- Adjustable slip clutch located outside load path
- Available Power Supplies:
  - ▶ 208V/230V/3Ph/60Hz
  - ▶ 460V/3Ph/60Hz
  - ▶ 415V/3Ph/50Hz
  - ▶ 115V/1Ph/60Hz
- Black painted hoist body (RAL 7021)
- Rotating upper and lower hooks, fixed body hook, or safety latch hooks available
- Retractable, rubber clad handgrips
- Lifting hook with ergonomic, rubber clad, gripping surface
- High capacity, reversible chain bag
- Available Plugs:
  - ▶ CE type plugs (Config A, direct control hoist only)
  - ▶ 7 pin combined power and control
  - ▶ Dual Twist Lock
  - ▶ P14 combined power and control
  - ▶ L14-20 available for local control



## SPECIFICATIONS

Load Capacity	Model	Speed (m/min)	Speed (fpm)	Number of Falls	Chain Size	Dimensions						Hoist Weight (without chain)		Chain Weight	
						A		B		C		kg	lb	kg/m	lb/ft.
250 kg 1/4 ton	SR01 0410254	4	16	1	4 x 11	307	12.1	180	7.1	112	4.4	10.4	23	0.37	0.25
	SR02 0410255	4	16	1	4 x 11	478	18.8	264	10.4	150	5.9	20.1	44.3	0.37	0.25
	SR02 0810254	8	32	1	4 x 11	478	18.8	264	10.4	150	5.9	20.1	44.3	0.37	0.25
	SR05 1610254	16	64	1	5 x 14	472	18.6	297	11.7	174	6.8	29.6	65.3	0.57	0.39
500 kg 1/2 ton	SR01 0220505	2	8	2	4 x 11	307	12.1	180	7.1	112	4.4	10.4	23	0.57	0.39
	SR05 0410505	4	16	1	5 x 14	472	18.6	297	11.7	174	6.8	29.6	65.3	0.57	0.39
	SR05 S0410504	4	16	1	5 x 14	508	20	297	11.7	174	6.8	32.1	71	0.57	0.39
	SR05 0810504	8	32	1	5 x 14	472	18.6	297	11.7	174	6.8	29.6	65.3	0.57	0.39
	SR10 1610504	16	64	1	7 x 20	508	20	335	13.2	180	7.1	44.4	98	1.09	0.74
1000 kg 1 ton	SR10 0411004	4	16	1	7 x 20	508	20	335	13.2	180	7.1	44.4	98	1.09	0.74
	SR10 0811004	8	32	1	7 x 20	508	20	335	13.2	180	7.1	44.4	98	1.09	0.74
2000 kg 2 ton	SR10 0222004	2	8	2	7 x 20	508	20	335	13.2	180	7.1	44.4	98	2.2	1.48
	SR10 0422004	4	16	2	7 x 20	508	20	335	13.2	180	7.1	44.4	98	2.2	1.48
2.500 kg 2.5 ton	SR25 0812503	4	16	1	11.3 x 31	587	23.3	393	15.5	264	10.4	1082	238	2.8	1.88
	SR25 0412505	8	32	1	11.3 x 31	587	23.3	393	15.5	264	10.4	1082	238	2.8	1.88
5000 kg 5 ton	SR25 0425003	4	16	2	11.3 x 31	587	23.3	393	15.5	264	10.4	111.4	245	5.6	3.76

Stagemaker may alter or amend the technical specifications identified herein at any time with or without notice. Bulletin# 12-2017